

22666

1 The Eastgate Office Centre  
Eastgate Road  
Bristol BS5 6XX  
United Kingdom

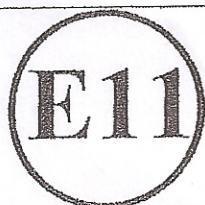


Switchboard: +44 (0)117 951 5151  
Main Fax: +44 (0)117 952 4103  
E-mail: [general@vca.gov.uk](mailto:general@vca.gov.uk)  
Web Site: [www.vca.gov.uk](http://www.vca.gov.uk)

VEHICLE CERTIFICATION AGENCY

THE UNITED KINGDOM VEHICLE APPROVAL AUTHORITY

Rev 9/93



COMMUNICATION CONCERNING THE APPROVAL GRANTED OF A TYPE  
OF SPECIAL WARNING LIGHT FOR MOTOR VEHICLES, PURSUANT TO  
REGULATION NO 65

Approval No: 000058 Extension No: 1

1. Special warning lamp: Amber 12 and 24 volt, Acrolite 420/Aeromax
2. Special warning lamp has one level of intensity.
3. For special warning lamps having two levels of intensity, indicate the system used to obtain increased intensity at day-time: Not applicable
4. Used light source, discharge lamp or category of filament lamp: One x H1
5. Rated voltage of special warning lamp: 12 and 24 volts
6. Trade name or mark: Britax, PREMIER HAZARD, winkler or COBO
7. Manufacturer's name and address:
 

<p>Britax (PMG) Limited Bessingby Industrial Estate Bridlington YO16 4SJ East Yorkshire United Kingdom</p>	<p>Premier Hazard Limited Moorfield Estate Yeadon Leeds LS19 7BN United Kingdom</p>
--	---
8. If applicable, name and address of manufacturer's representative: Not applicable

9. Submitted for approval on: As before and 11 December 2001
10. Technical service responsible for approval tests: BSI Product Services
11. Date of report issued by that service: As before and 25 March 2002
12. Number of report issued by that service: As before and 247/4270078
13. Approval GRANTED
14. Reason(s) of extension (if applicable): To cover an alternative manufacturer
15. Place: BRISTOL
16. Date: 5 APRIL 2002
17. Signature: *Patricia Britton* P F NICHOLL
18. The list of documents filed with the administration service which has granted approval and available on request is annexed to this communication.

EAB011642

\* Delete where inapplicable



JBL 22666



I The Eastgate Office Centre  
Eastgate Road  
Bristol BS5 6XX  
United Kingdom

VEHICLE CERTIFICATION AGENCY

☎ Switchboard 0117 951 6151  
☎ Direct Line 0117 952 41  
Fax: 0117 952 4103



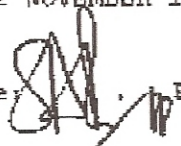
THE UNITED KINGDOM VEHICLE APPROVAL AUTHORITY

Rev. 9/93

**COMMUNICATION CONCERNING THE APPROVAL GRANTED OF A TYPE OF SPECIAL WARNING LIGHT FOR MOTOR VEHICLES, PURSUANT TO REGULATION NO 65**

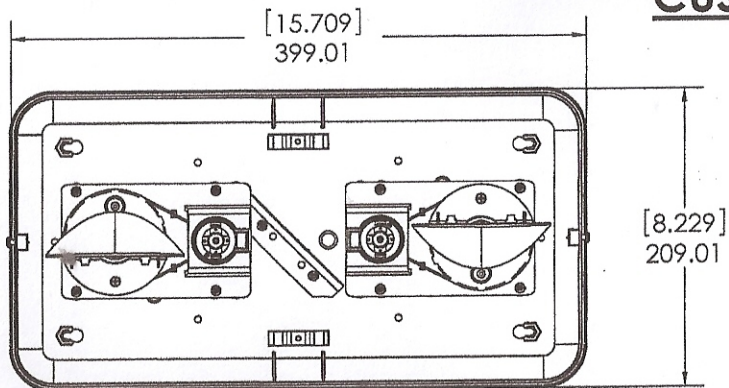
Approval No: 000031

1. Special warning lamp amber: 12 volt Light Bar, Series 700, 701, 702, 703, 704, 705
2. Special warning lamp has one level of intensity:
3. For special warning lamps having two levels of intensity, indicate the system used to obtain increased intensity at day-time: Not applicable
4. Used light source, discharge lamp or category of filament lamp: H1
5. Rated voltage of special warning lamp: 12 volt
6. Trade name or mark: Vision Alert
7. Manufacturer's name and address: Vision Alert Automotive Limited  
Osbalwick Industrial Estate  
Outgang Lane  
Osbalwick  
York  
YO1 3UX  
United Kingdom
8. If applicable, name and address of manufacturer's representative:  
Not applicable
9. Submitted for approval on: 2 April 1996

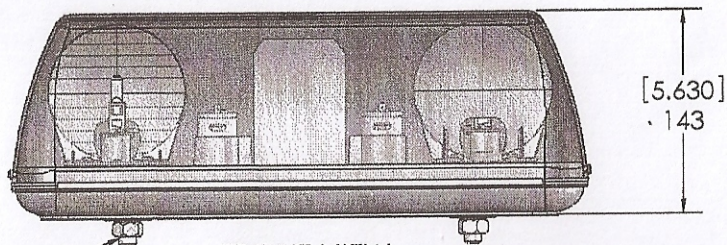
10. Technical service responsible for approval tests: HSI Testing
11. Date of report issued by that service: 20 May 1996
12. Number of report issued by that service: PM000541/1-2
13. Approval GRANTED
14. Reasons(s) of extension (if applicable):
15. Place: BRISTOL
16. Date: 12 NOVEMBER 1996
17. Signature:  P F NICHOLL
18. The list of documents filed with the administration service which has granted approval and available on request is annexed to this communication.

P94-95/1664

# CUSTOMER COPY



TOP VIEW  
(LENSES NOT SHOWN)

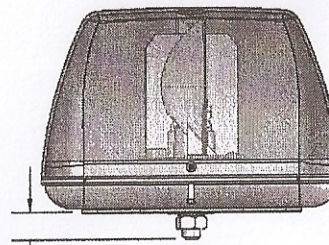


CABLE EXIT  
FRONT VIEW

LENS COLOURS				
END 1	END/MID 1	CTR/FULL	END/MID 2	END 2
		AMBER		

NOTES:

1. DIMENSIONS IN MILLIMETERS [INCHES]
2. CABLES AND WIRING NOT SHOWN



END VIEW

## SPECIFICATIONS

1. CERTIFICATIONS:  
EC 95/54  
REG 65 'E' APPROVED
2. TEMPERATURE RANGE -30 °C TO 50 °C
3. MOUNTING: 2 BOLT
4. BASE MATERIAL: POLYCARBONATE
5. LENS MATERIAL: POLYCARBONATE
6. WEIGHT: - 5KG APPROX
7. TOTAL CURRENT CONSUMPTION: - 9.2 AMPS APPROX

Wire Assignment Table			
Colour	Function	Amps	Used
Red	Rotator / Strobe Outer	14.0	✓
Red / Green	Rotator / Strobe Inner	14.0	
Red / Yellow	Rotator / Strobe Center	14.0	
Green	Signplate Illumination	14.0	
Blue	Indicator (Right)	14.0	
Yellow	Indicator (Left)	14.0	
White	Tail Lamp	14.0	
Pink	Stop Lamp	14.0	
Orange	Alternating Flash (Rear)	14.0	
Orange / White	Alternating Flash (Front)	14.0	
Brown	Power Supply Feed (+)	14.0	
Brown / Blue	Power Supply 'E' App - A	14.0	
Brown / White	Power Supply 'E' App - B	14.0	
Black / Red	Multiwave Lamps	14.0	
Purple	Work / Spot Lamp	14.0	
Black / Blue	Alley Lamp (Right)	14.0	
Black / Yellow	Alley Lamp (Left)	14.0	
Blue / Red	Driving Lamp (Main Beam)	14.0	
Blue / White	Driving Lamp (Dip Beam)	14.0	
Grey	Speaker (+)	14.0	
Light Green	Running Lights	14.0	
Grey / Black	Speaker (-)	14.0	
Black	Common / Earth / Ground	29.0	✓

**VISION ALERT** VISION ALERT AUTOMOTIVE LIMITED  
 Victoria Industrial Park, Victoria Road, Seacroft, Leeds LS14 2LA  
 Tel: +44 (0)113 237 5340 Fax: +44 (0)113 237 5360  
 Email: sales@visionalert.co.uk

## BLAZE, ROTATOR, 12v, AMBER

Project:		Date Created:	
SIZE A4	PART NO. 701.001	ECCO PART NO.	REV. B
SCALE 1:5		SHEET 1 of 1	