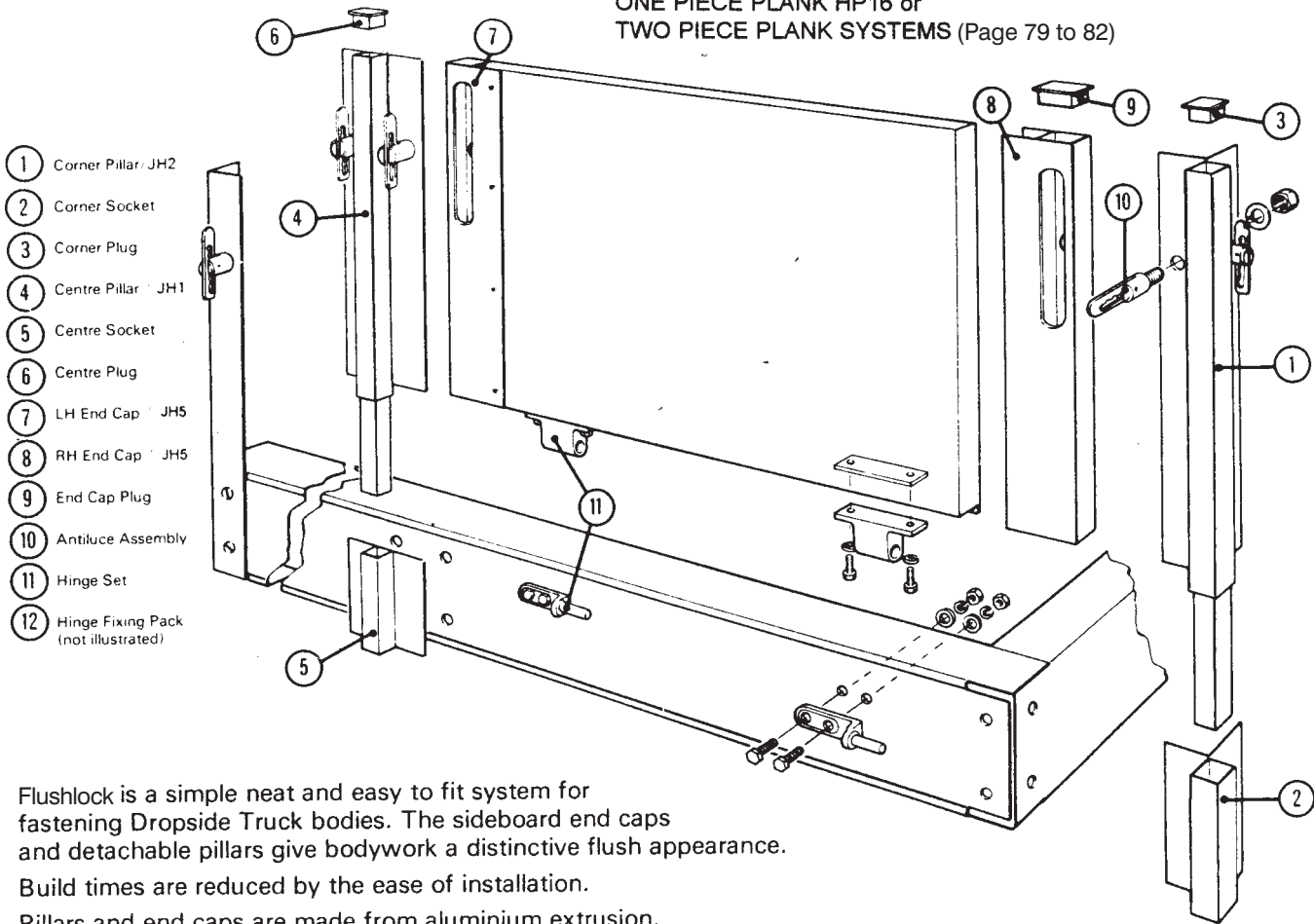


# Dropside Sections

## Flushlock (anti loose) systems

Side panel available in either  
ONE PIECE PLANK HP16 or  
TWO PIECE PLANK SYSTEMS (Page 79 to 82)



Flushlock is a simple neat and easy to fit system for fastening Dropside Truck bodies. The sideboard end caps and detachable pillars give bodywork a distinctive flush appearance.

Build times are reduced by the ease of installation.

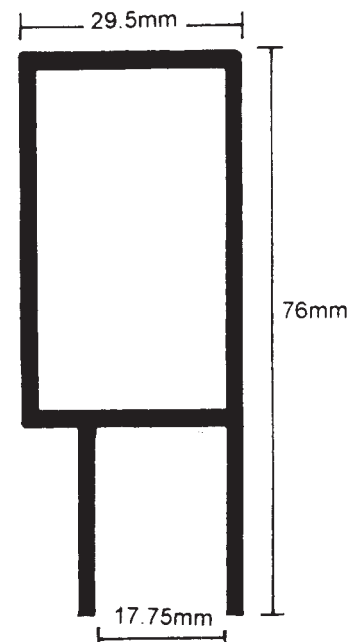
Pillars and end caps are made from aluminium extrusion.

All Steel parts are Plated.

All corner Pillars and Centre pillars supplied complete with Plastic Bungs and Sockets

*\* Please note when ordering JH5, slots can be lowered to suit customer requirements.*

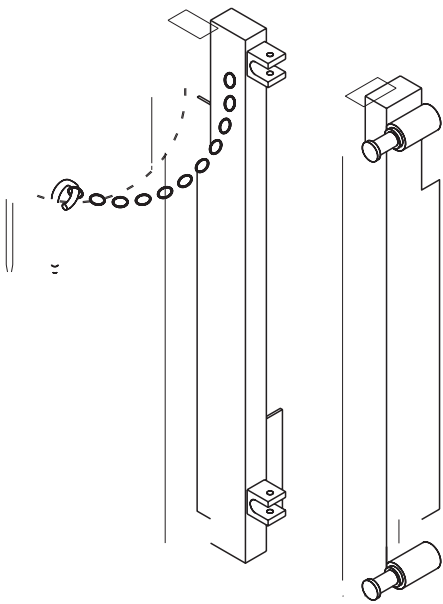
**JH6**  
GRP  
END CAP



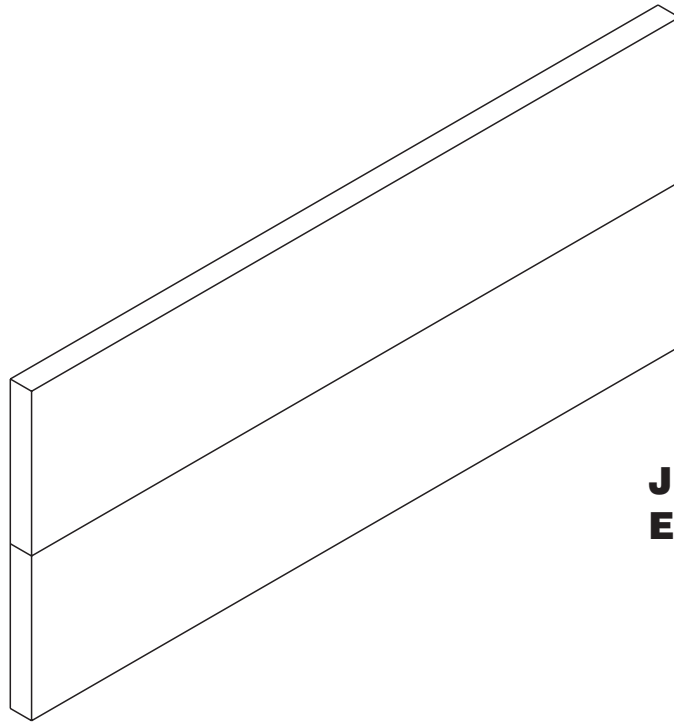
For use with 17mm/18mm  
GRP Side Boards.

# 3.5 Tonne Alloy Tipper Fittings

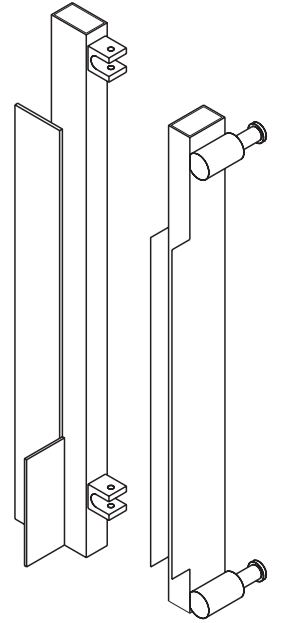
This unique system allows the tailboard to swing up and down depending on the vehicles application. Ideal for the smaller tipper manufacturer



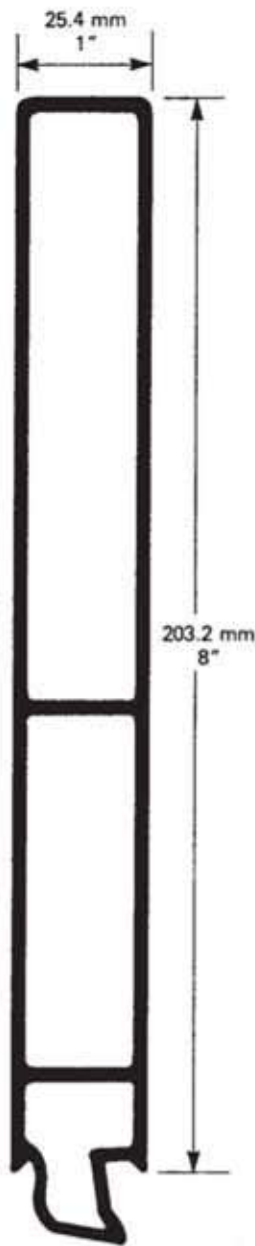
**JH8 Steel  
Corner Pillar**



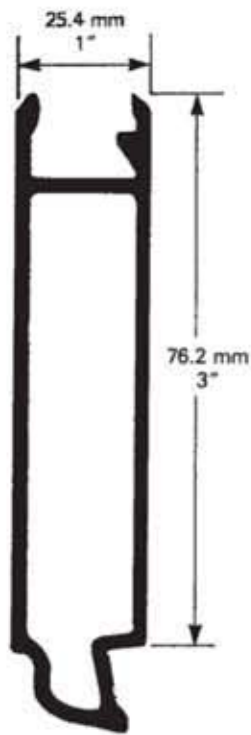
**JH7 Aluminium  
End Cap**



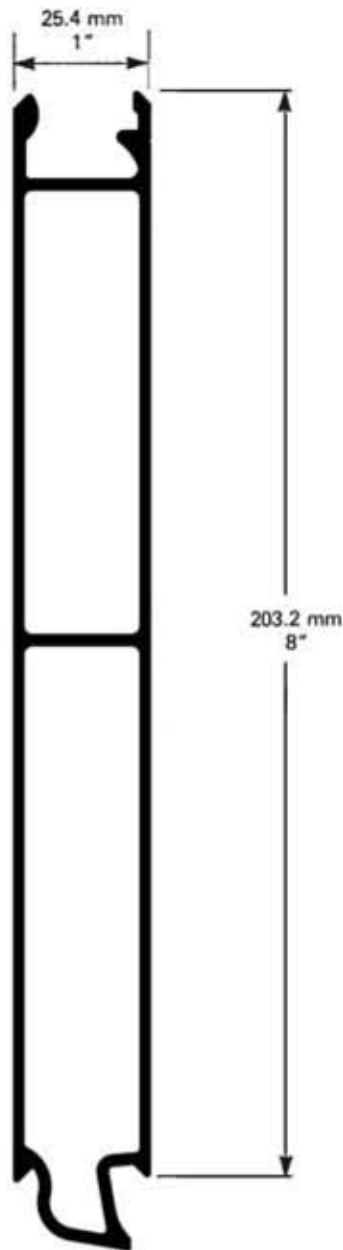
# Dropside Sections



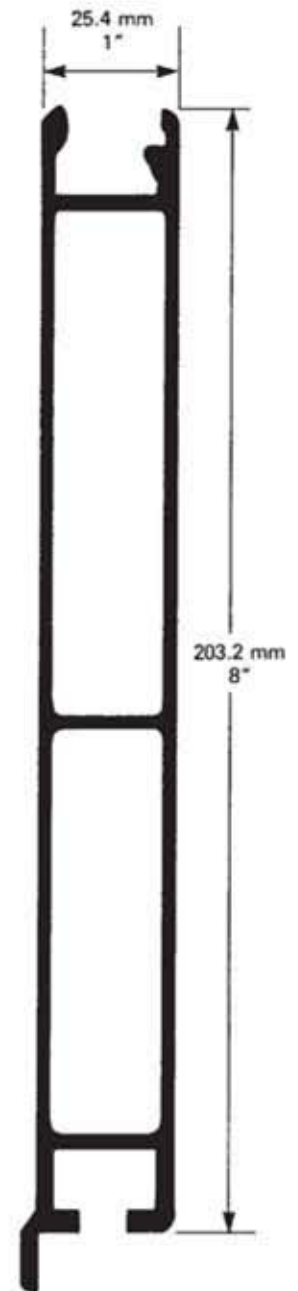
**HP10** (top)  
0.933 kg/ft  
3.06 kg/m



**HP11** (middle)  
0.433 kg/ft  
1.420 kg/m



**HP13** (middle)  
0.856 kg/ft  
2.81 kg/m



**HP12** (bottom)  
0.939 kg/ft  
3.080 kg/m

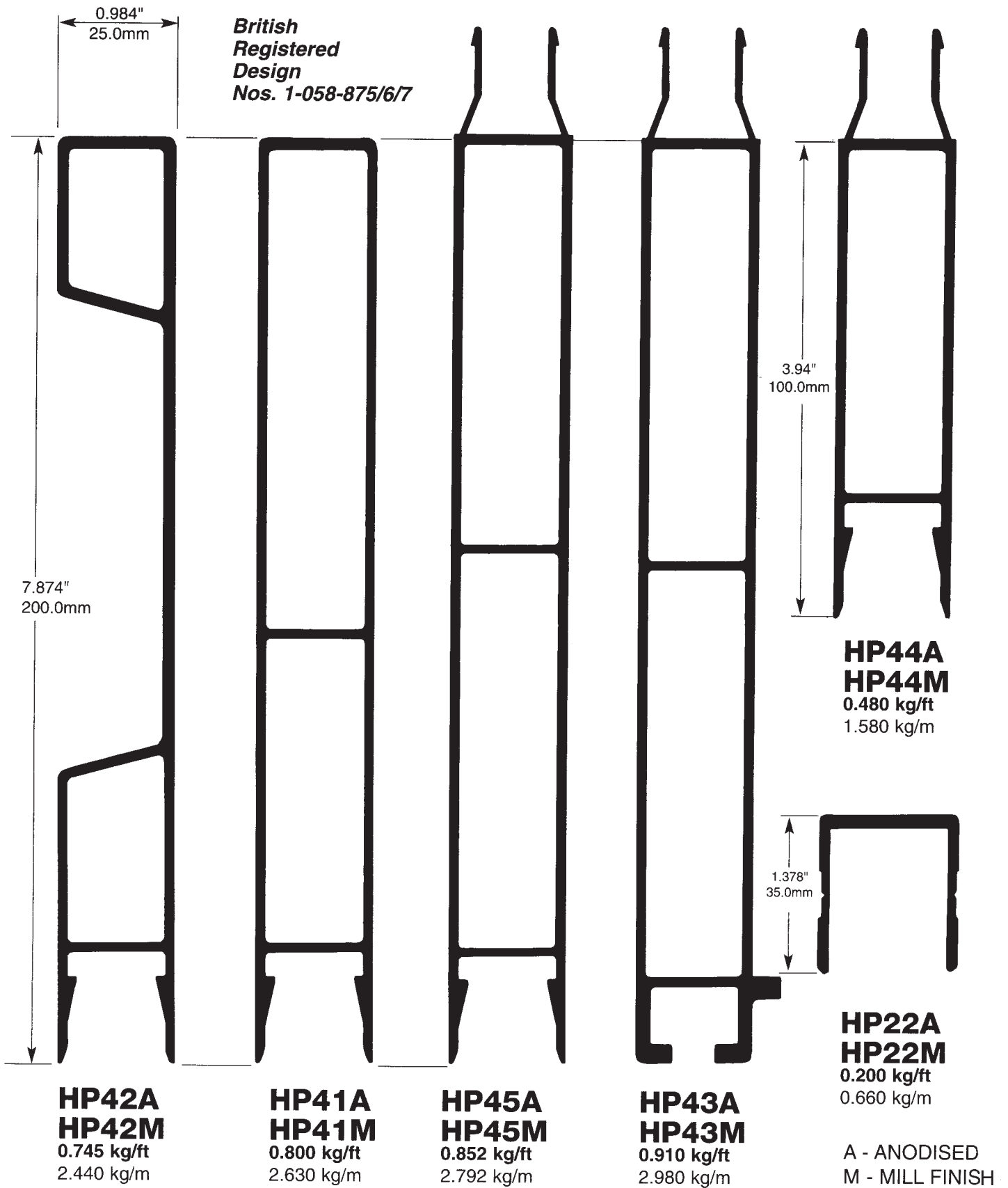
# Hollow Plank Sections

---

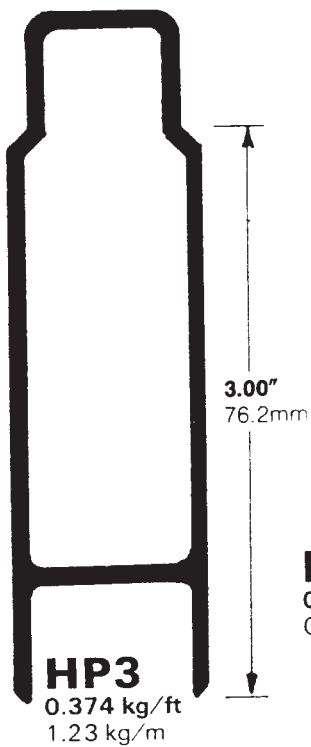
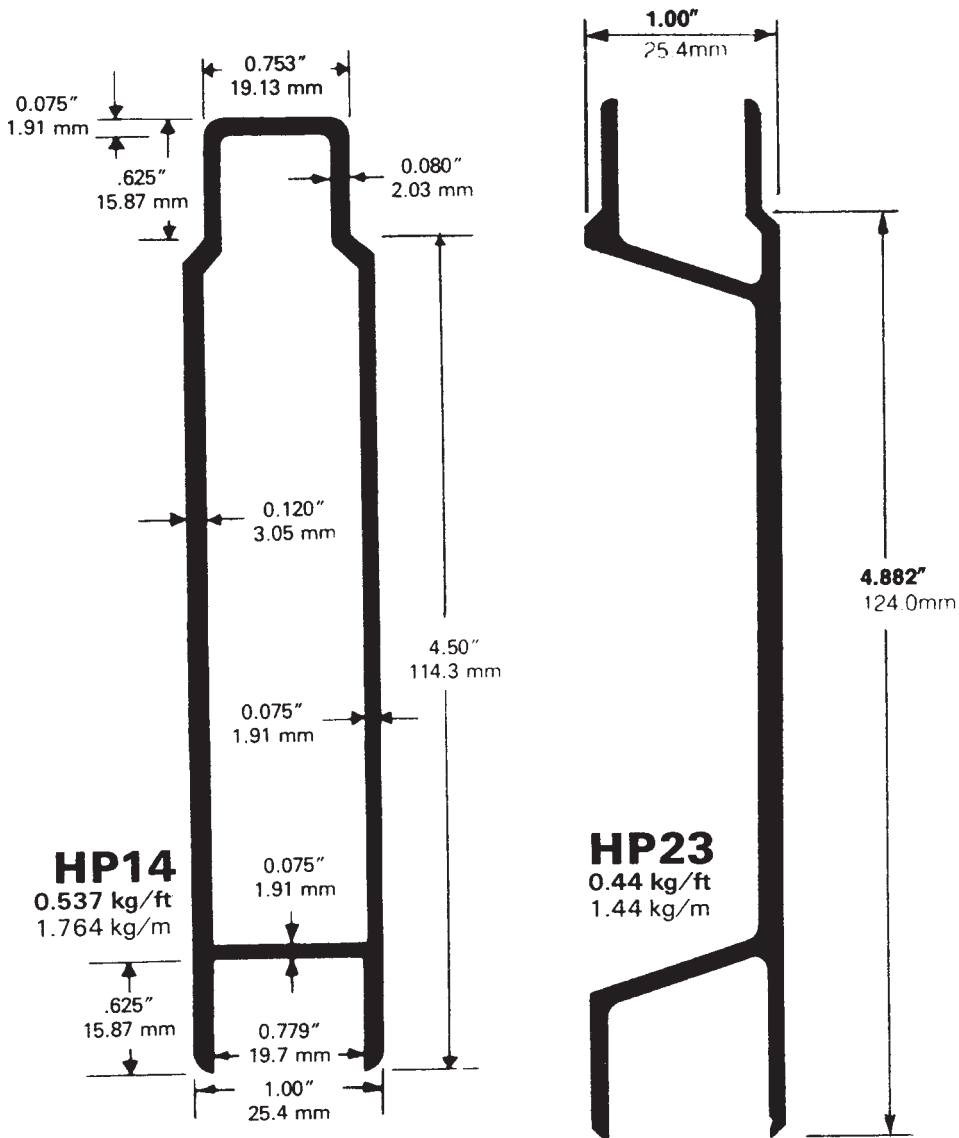


**HP16** One Piece Dropside System  
*Drawn half size*

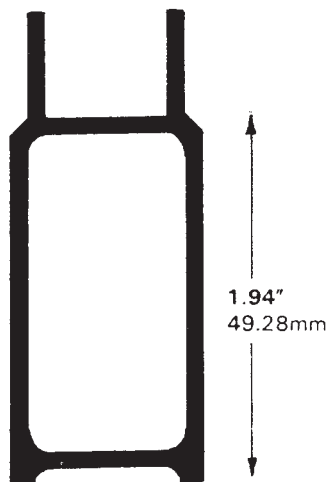
# Hollow Plank Sections



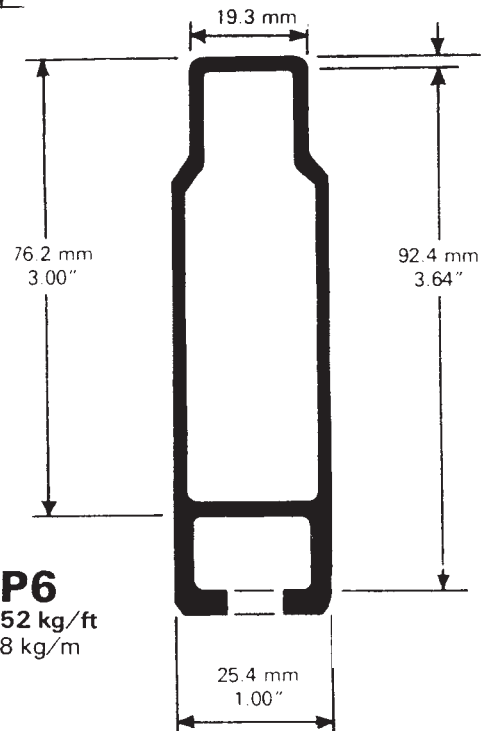
# Hollow Plank Sections



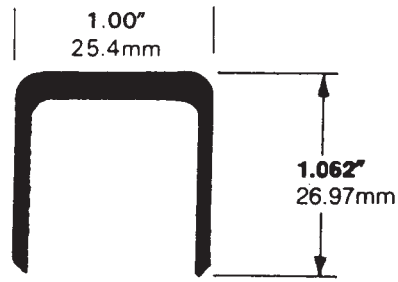
**HP4**  
0.291 kg/ft  
0.95 kg/m



**HP6**  
0.452 kg/ft  
1.48 kg/m



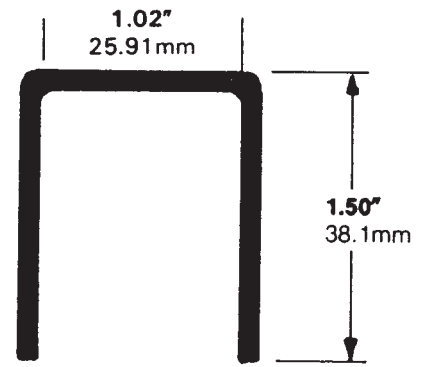
# Hollow Plank Sections



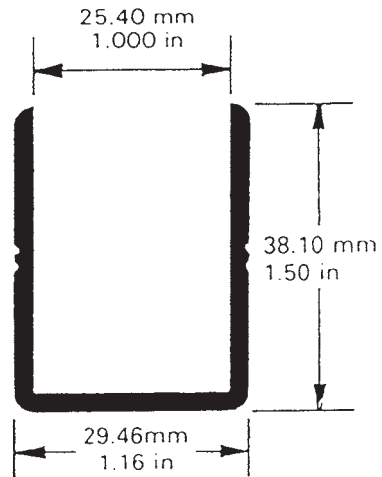
**C40**  
0.158 kg/ft  
0.52 kg/m



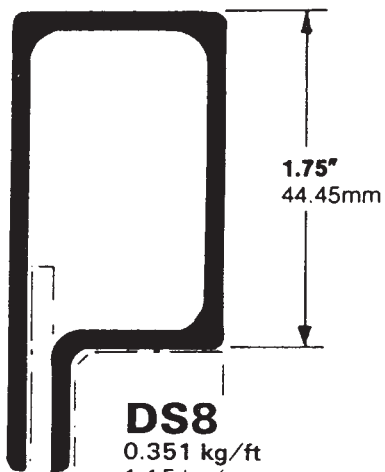
**HP5**  
0.101 kg/ft  
0.33 kg/m



**C41**  
0.216 kg/ft  
0.71 kg/m



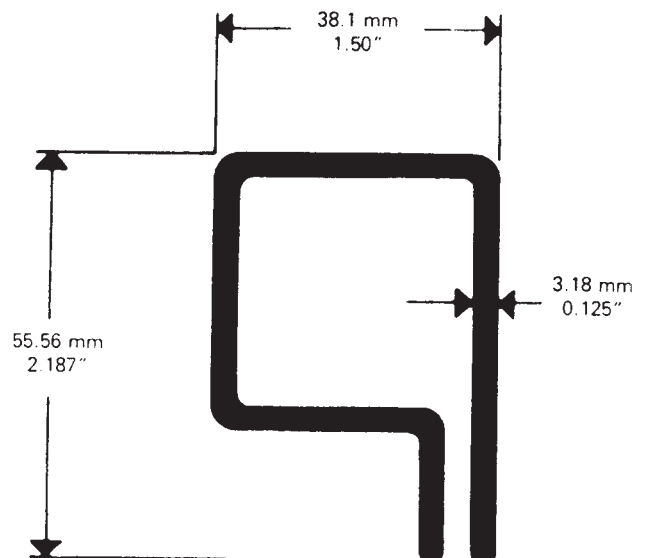
**C18**  
0.167 kg/ft  
0.549 kg/m



**DS8**  
0.351 kg/ft  
1.15 kg/m

TH2

Aluminium Sheet

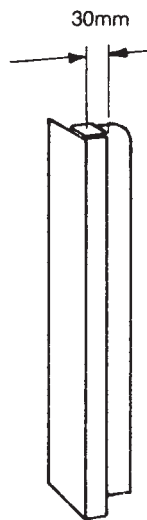


**DS22**  
0.444 kg/ft  
1.457 kg/m

3.96 mm  
0.156"

# Steel Pillars

## LIGHT DUTY STEEL PILLARS Zinc plated



Sockets to suit  
3" (75mm) bearers

**SF2**  
FRONT

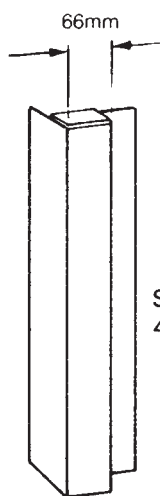


**SF4**  
CENTRE



**SF3**  
REAR

## HEAVY DUTY STEEL PILLARS Zinc plated



Sockets to suit  
4" (100mm) bearers

**SF5**  
FRONT

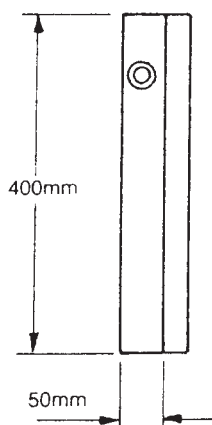


**SF7**  
CENTRE

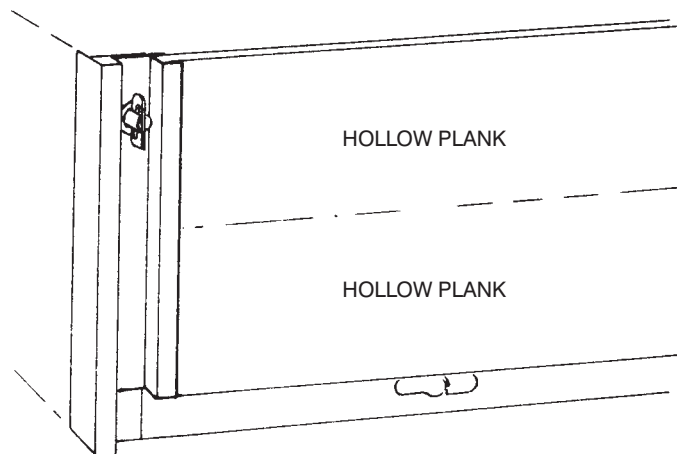


**SF6**  
REAR

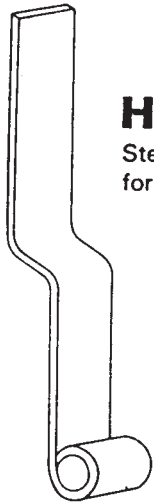
Normally to suit 15" (380mm) dropsides. Other lengths can be supplied



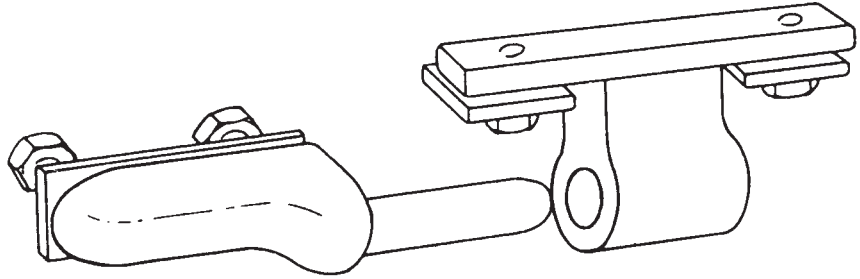
**SF8**  
STEEL END  
CAPPING  
Zinc plated  
For recessed  
anti-luce fasteners  
Supplied in pairs



# Dropside Fittings



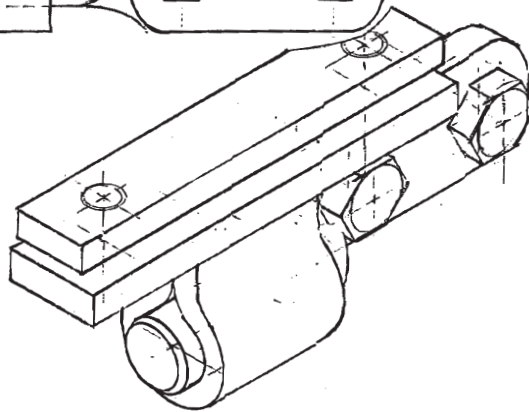
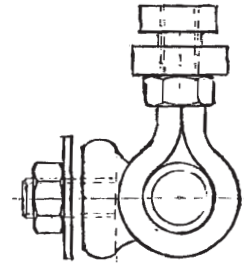
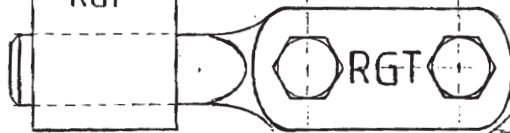
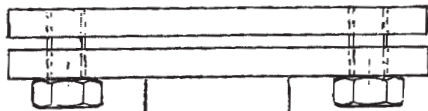
**HM301**  
Steel Hinge  
for 1/2" die pin



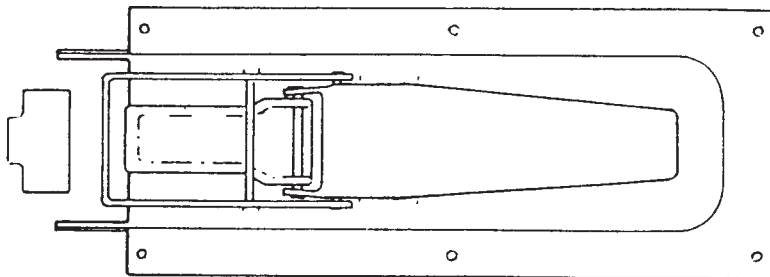
**RG209**  
Steel Hinge pin

**RG300**  
Steel Hinge

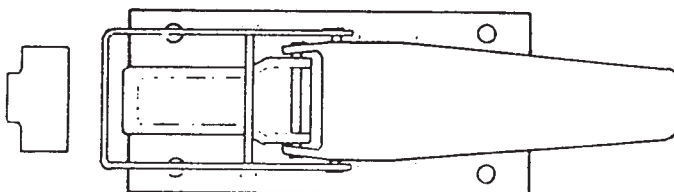
Supplied complete with screws and plates



**RG 300LW**



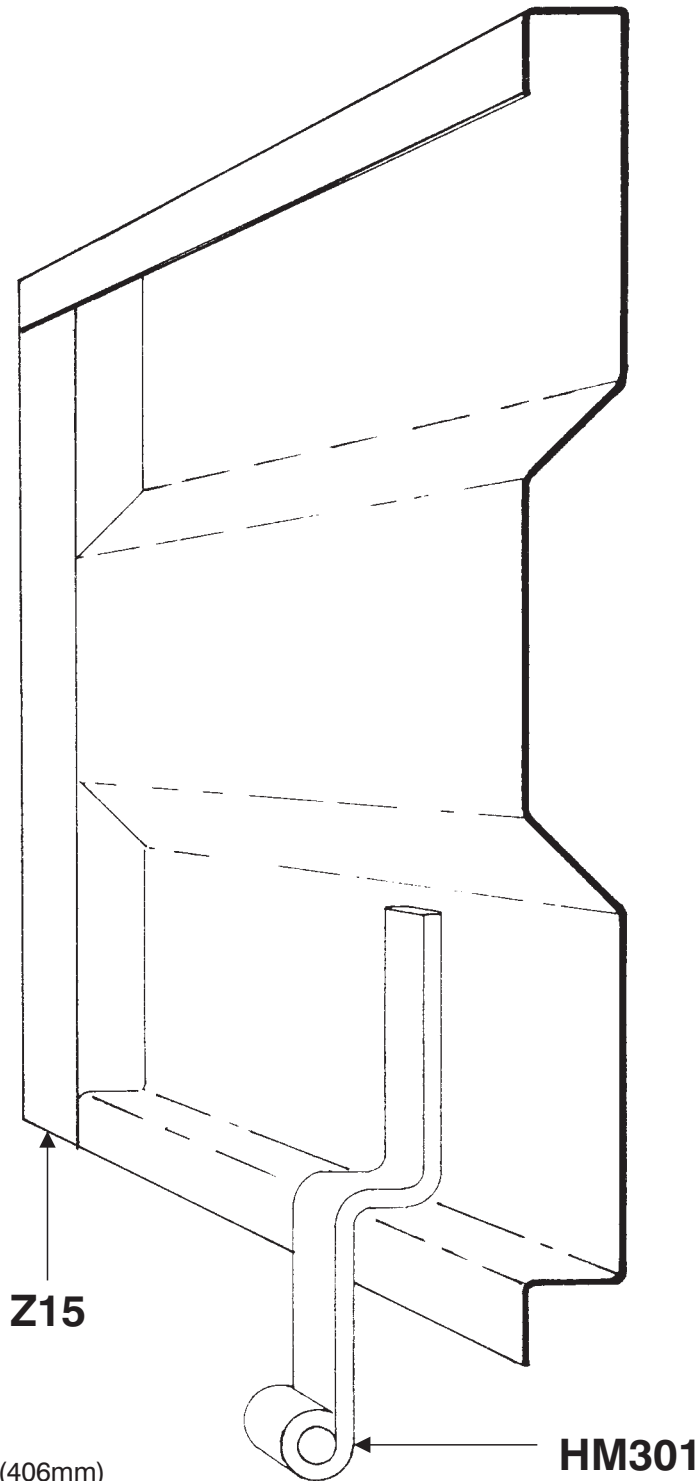
**694B**  
Overcentre catch  
for flush plank



**646S**  
Overcentre catch  
for recessed plank

# Dropside Fittings

---

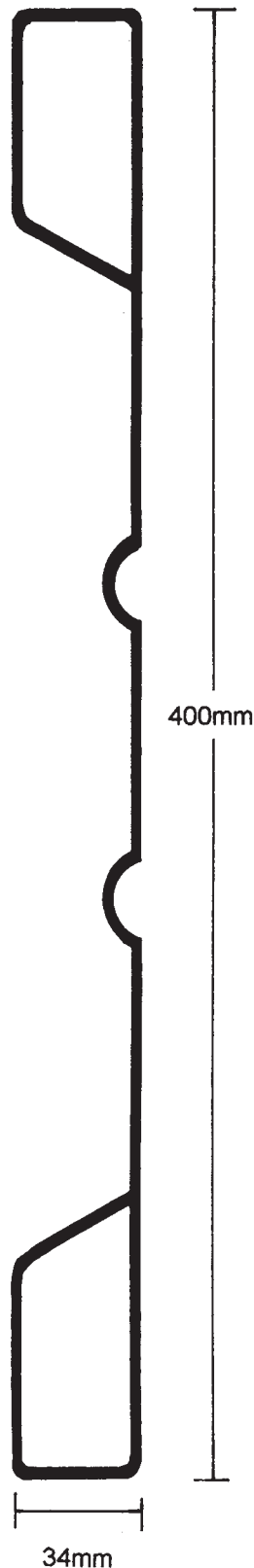


## FOLDED DROPSIDE

Normally supplied 16" (406mm)  
overall in 12 swg aluminium alloy.

May also be produced in  
14 swg steel (HM30S)

Z15 supplied separately,  
- please state if required.



## Steel 'EURO' Side

1. Fully sealed
2. Suitable for tippers or dropsides
3. 8.1 kg/m  
35% weight saving over traditional double skin sides
4. Ex-stock
5. Can be supplied as complete sides/tailgates
6. Lightweight profile manufactured from high grade steel

Part nos

**STES 2000**

**STES 2100**

**STES 2500**

**STES 3100**

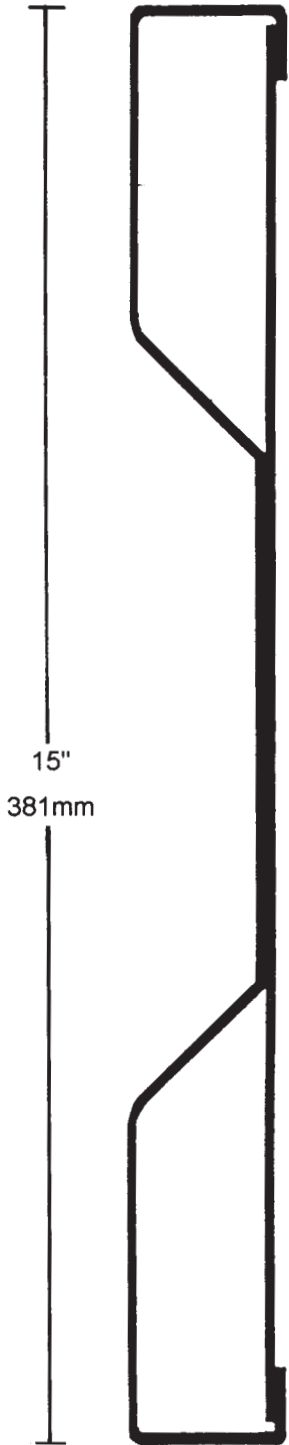
**STES 3550**

*Typical section through profile*

DRAWN HALF SIZE

# Double Skin Dropside Panel

---



**ST2100**  
*Can be produced in various heights etc to your requirements*

DRAWN HALF SIZE