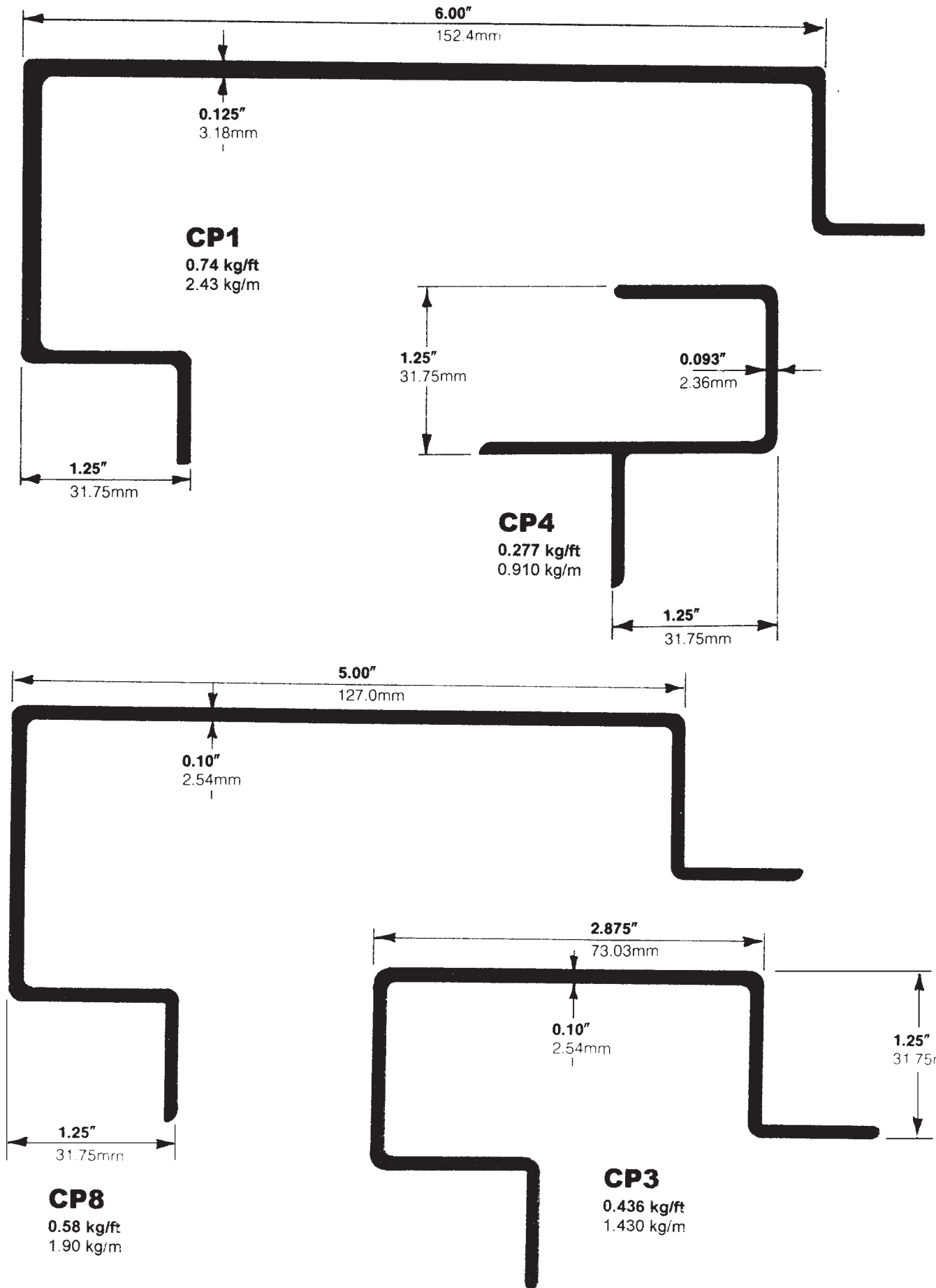
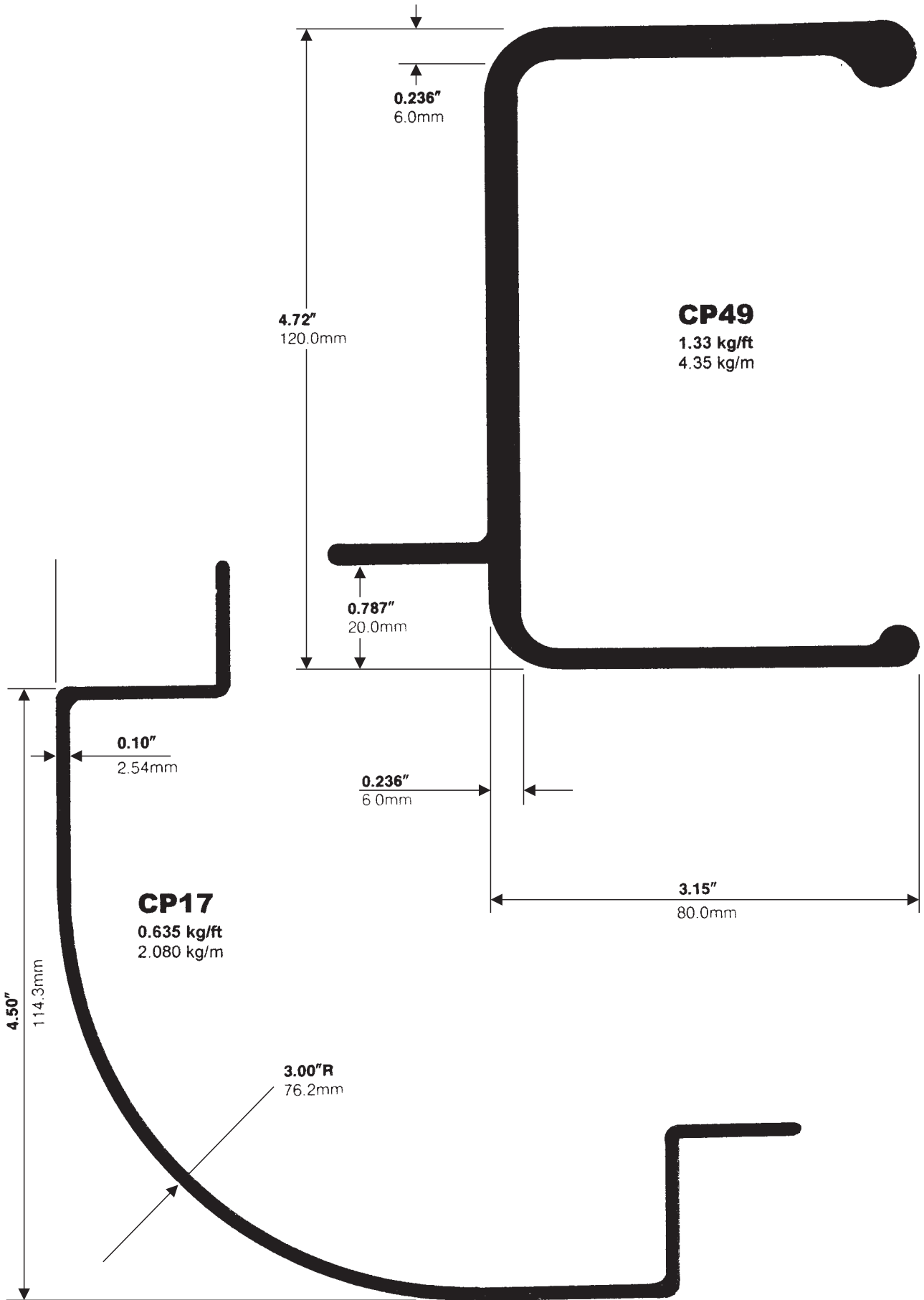


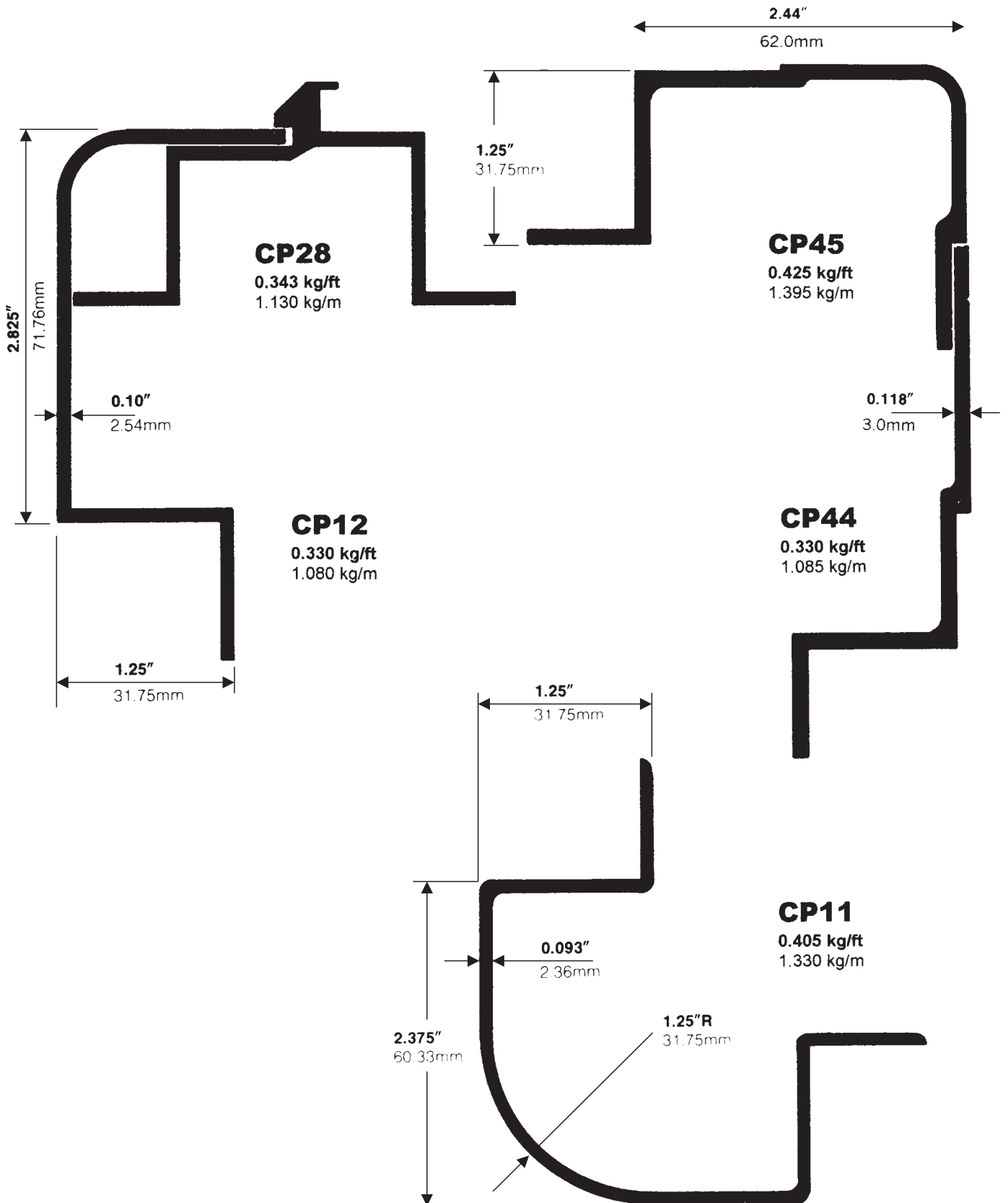
Corner Pillars



Corner Pillars



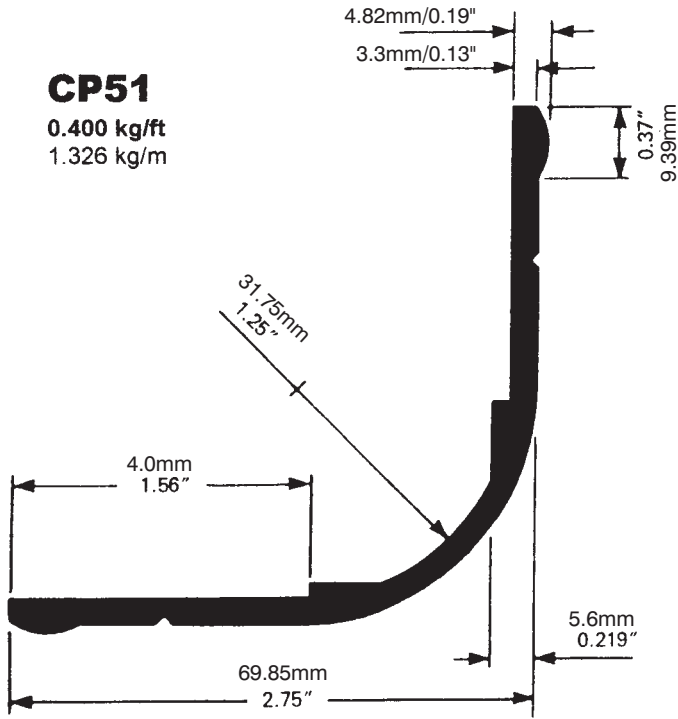
Corner Pillars



Corner Pillars

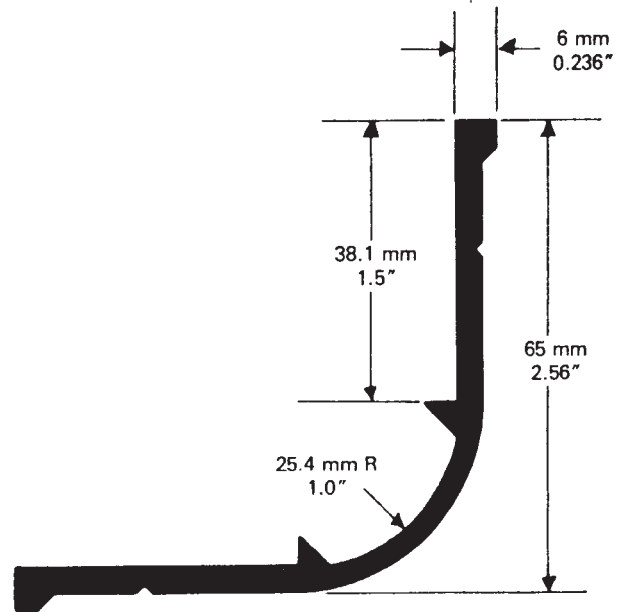
CP51

0.400 kg/ft
1.326 kg/m



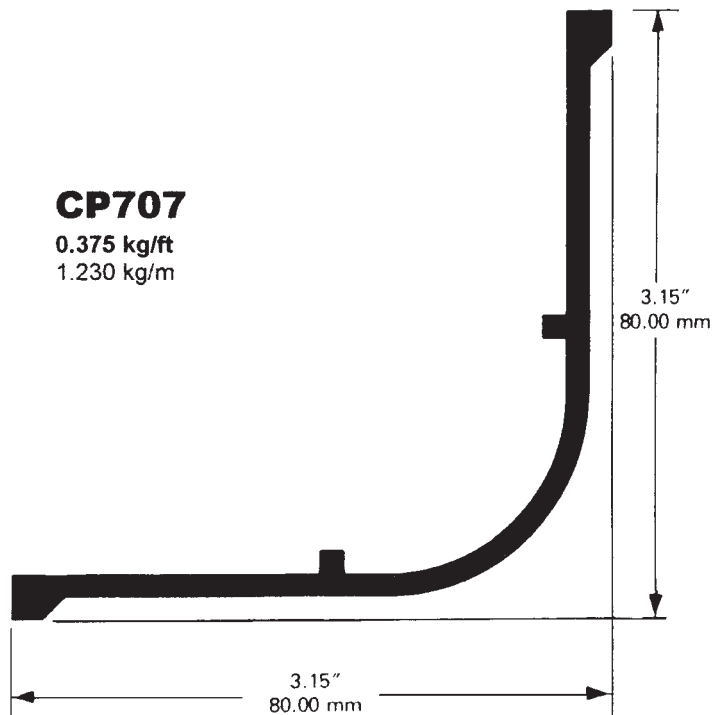
CP18

0.319 kg/ft
1.048 kg/m



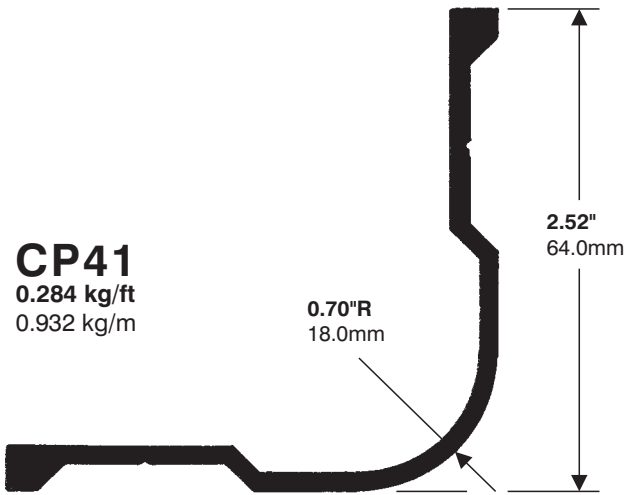
CP707

0.375 kg/ft
1.230 kg/m



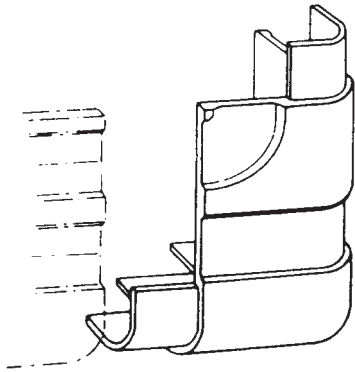
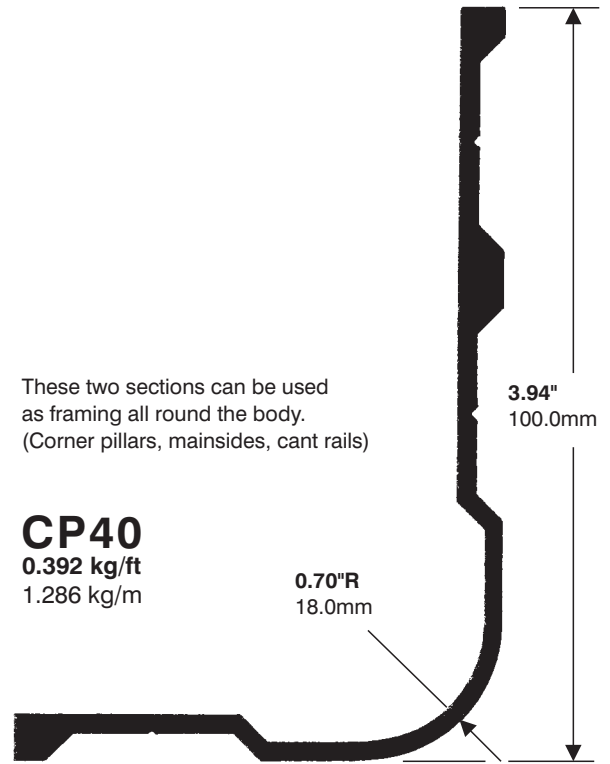
Corner Pillars

CP41
0.284 kg/ft
0.932 kg/m

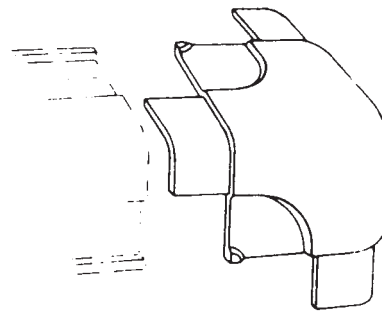


These two sections can be used
as framing all round the body.
(Corner pillars, mainsides, cant rails)

CP40
0.392 kg/ft
1.286 kg/m

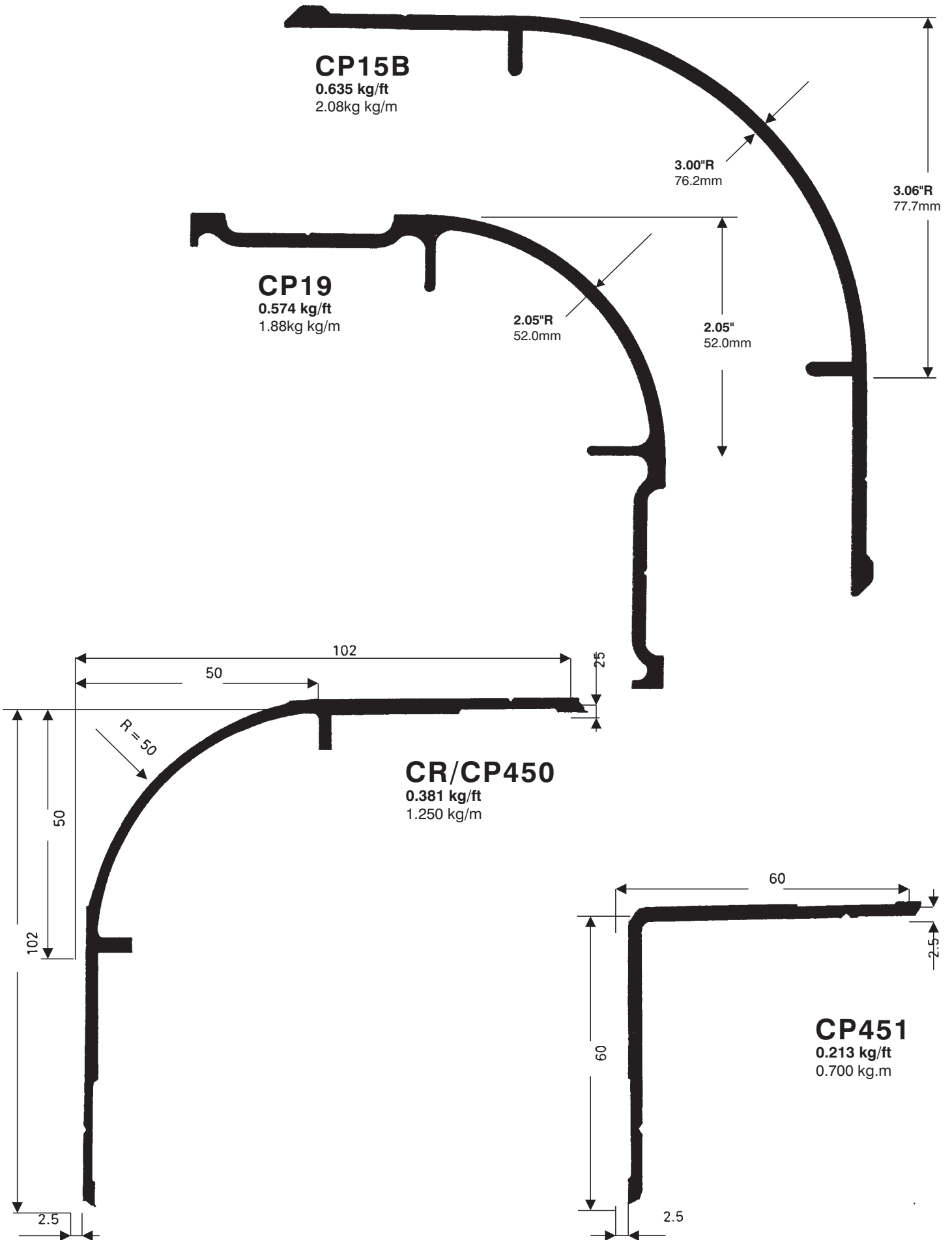


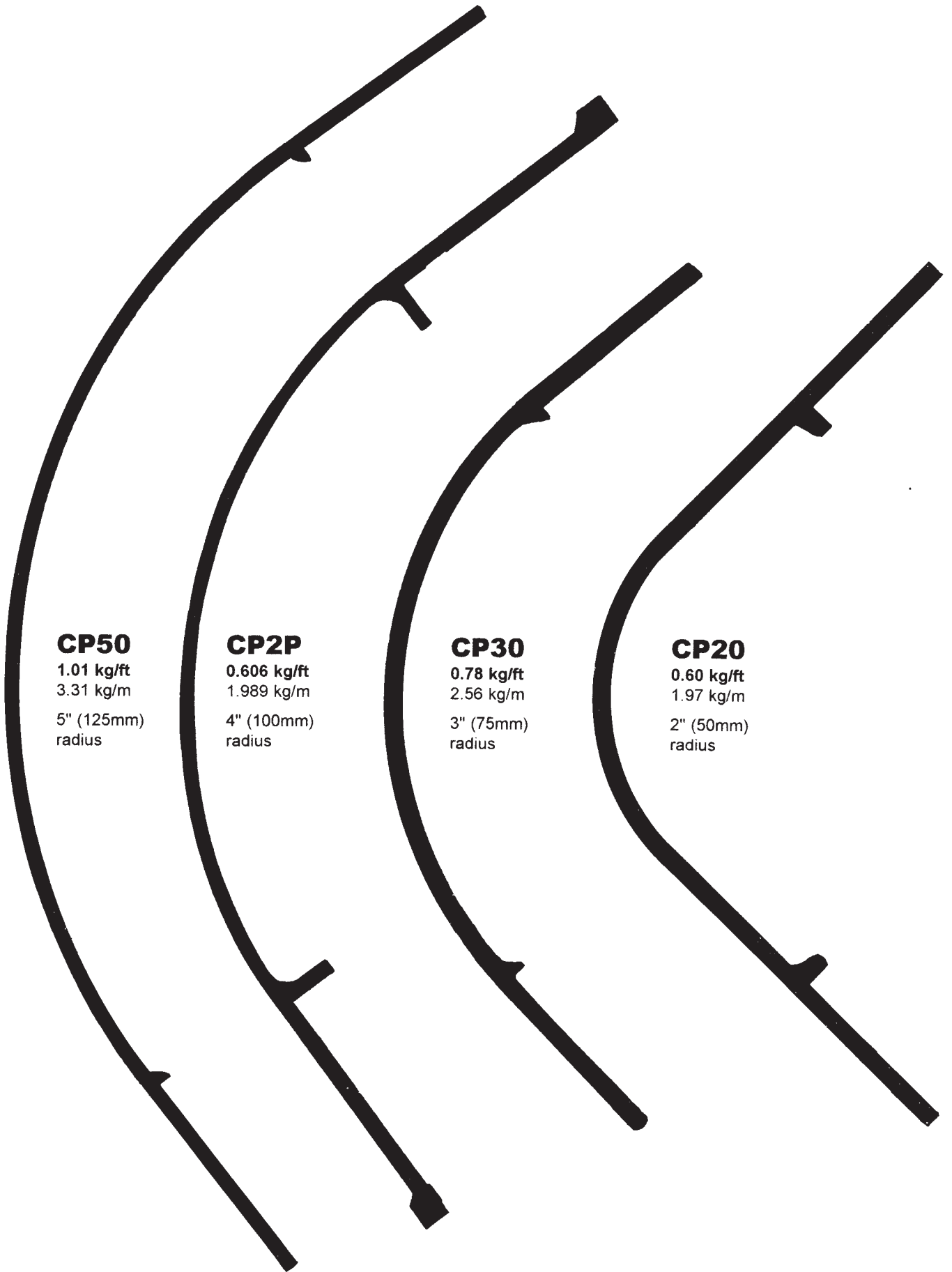
CS36
For CP40/CP41



CS37
For CP41

Corner Pillars







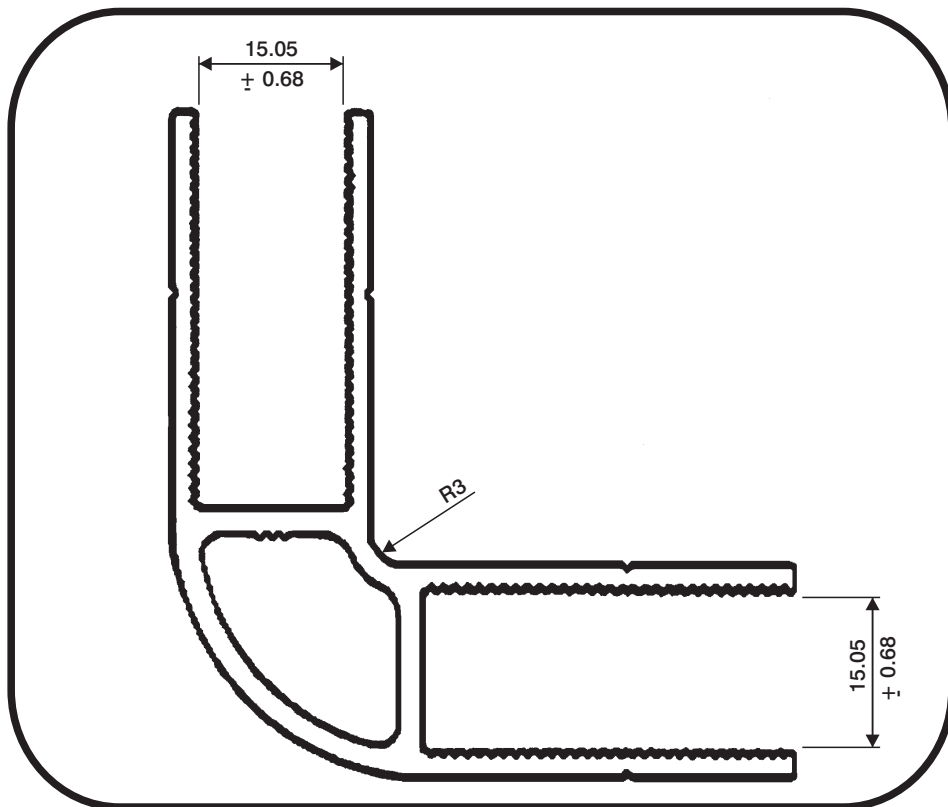
**THE SERVICE METALS
GROUP**



★★★ *NEW PRODUCT* ★★★

**INTRODUCING OUR NEW CAPTIVE
CORNER PILLAR**

**SUITABLE FOR ALL 14mm DRY
FREIGHT APPLICATIONS**



ADVANTAGES INCLUDE:-

★ TIME SAVING ★

★ IMPROVED STRENGTH ★

★ RIVET - FREE EXTERIORS ★

PLEASE CONTACT YOUR NEAREST SALES OFFICE FOR FAST EX STOCK DELIVERY



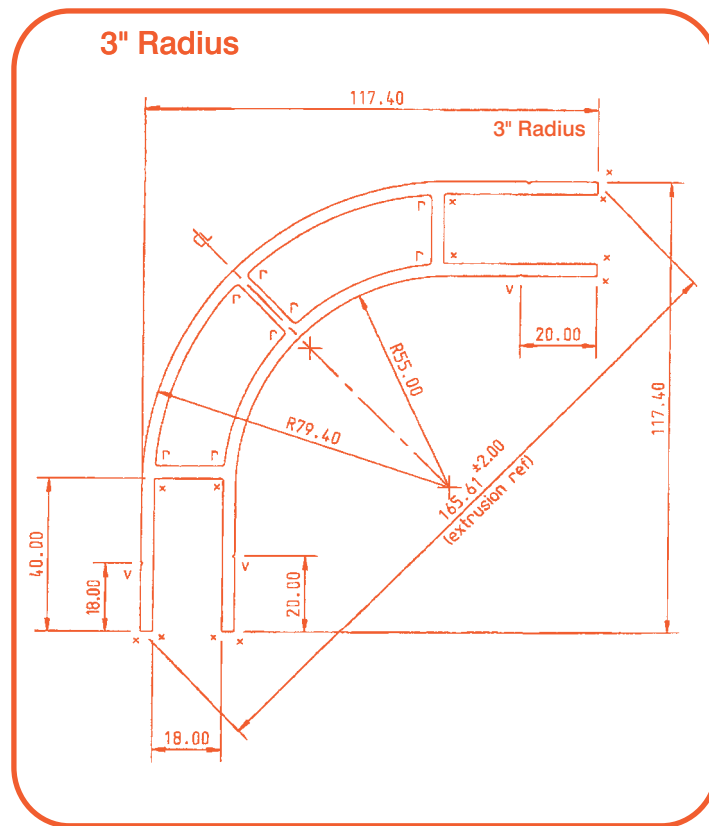
THE SERVICE METALS GROUP



★★★ **NEW PRODUCT** ★★★

INTRODUCING OUR NEW ALUMINIUM CAPTIVE GRP CORNER PILLARS

CP35 17mm Captive Corner Pillar



CP35 Captive Corner Pillar.
TR3 and TR1 Castings

ADVANTAGES INCLUDE:-

★ **MORE COST EFFECTIVE / TIME SAVING** ★

★ **RIVET FREE EXTERIOR** ★

PLEASE CONTACT YOUR NEAREST SALES OFFICE FOR FAST EX STOCK DELIVERY



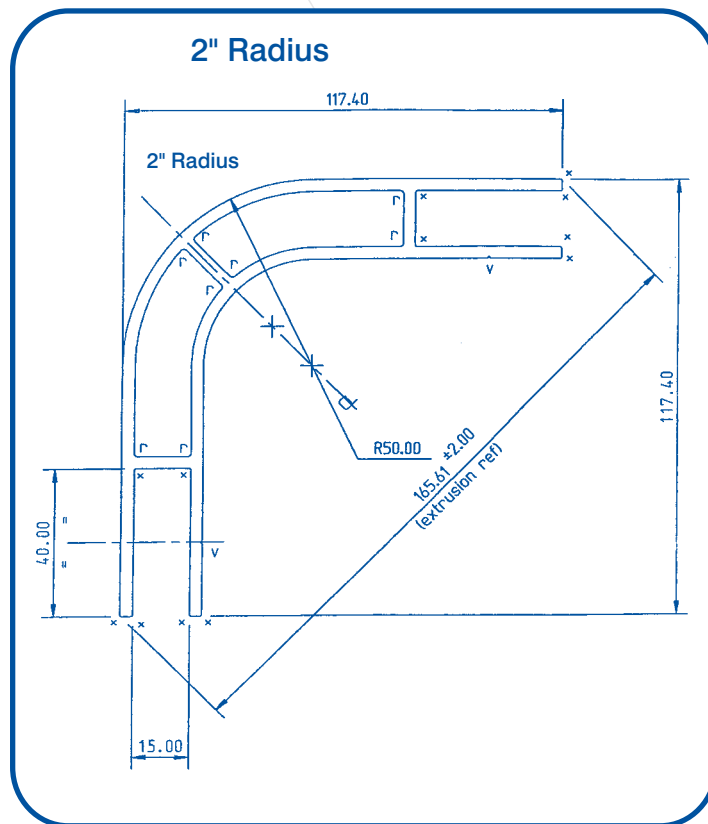
THE SERVICE METALS GROUP



★★★ **NEW PRODUCT** ★★★

INTRODUCING OUR NEW ALUMINIUM CAPTIVE GRP CORNER PILLARS

CP25 14mm Captive Corner Pillar



CP25 14mm Captive Corner Pillar

ADVANTAGES INCLUDE:-

- ★ MORE COST EFFECTIVE / TIME SAVING ★
- ★ RIVET FREE EXTERIOR ★

PLEASE CONTACT YOUR NEAREST SALES OFFICE FOR FAST EX STOCK DELIVERY