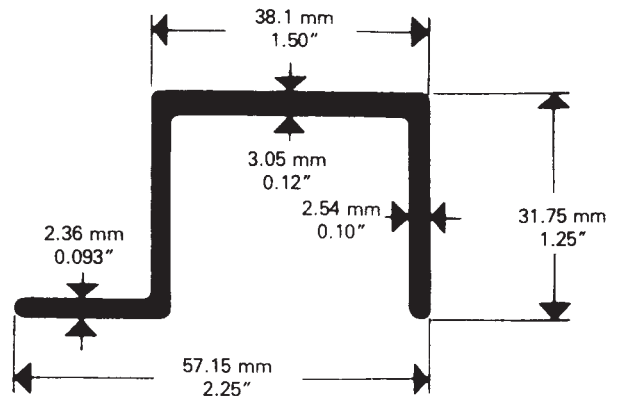
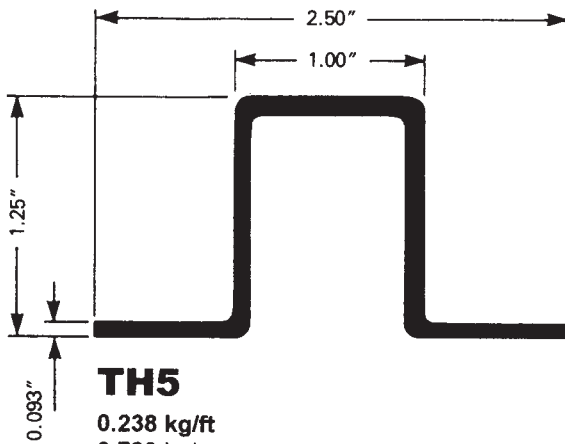


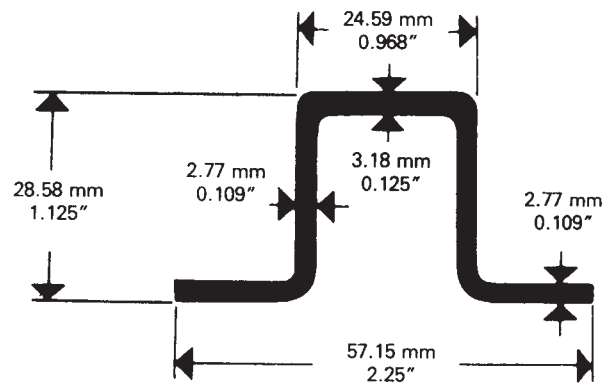
TH7 End Casting CS6F available
 0.238 kg/ft
 0.780 kg/m See drawing page 44



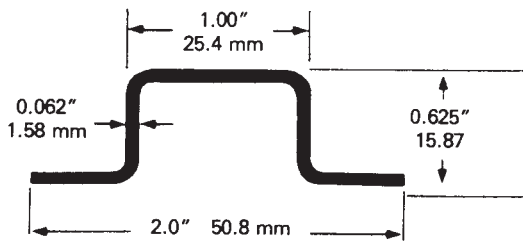
TH8
 0.253 kg/ft
 0.829 kg/m



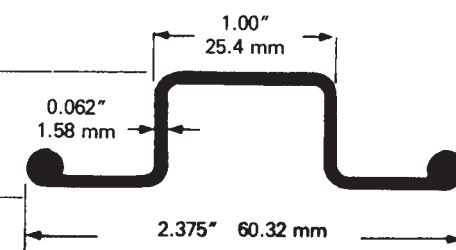
TH5
 0.238 kg/ft
 0.780 kg/m



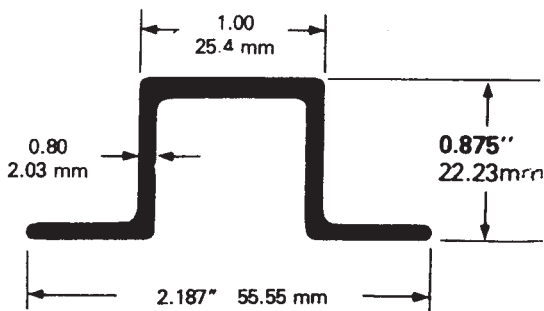
TH37
 0.248 kg/ft
 0.813 kg/m



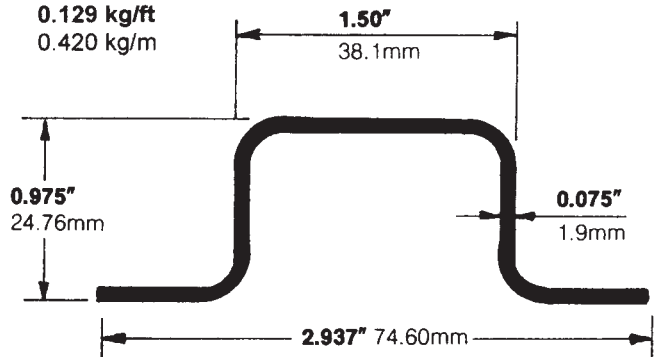
TH1
 0.095 kg/ft
 0.310 kg/m



TH22
 0.129 kg/ft
 0.420 kg/m



TH2
 0.171 kg/ft
 0.560 kg/m

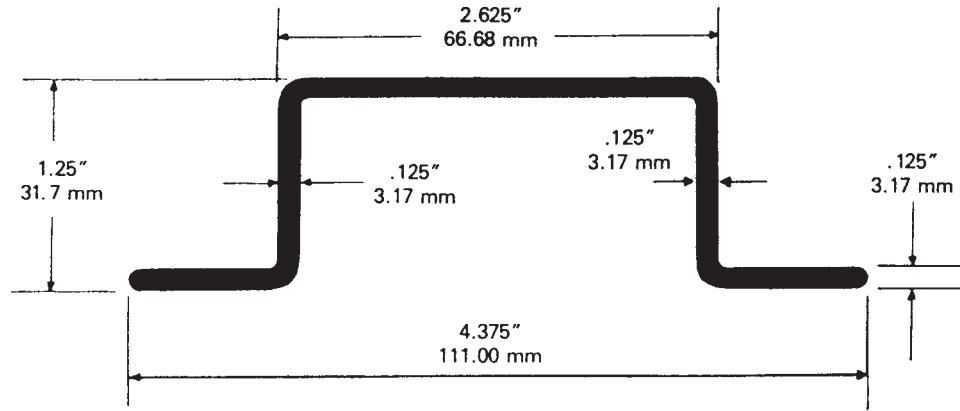


TH25
 0.180 kg/ft
 0.590 kg/m

Top Hats/Rub Rails

TH38

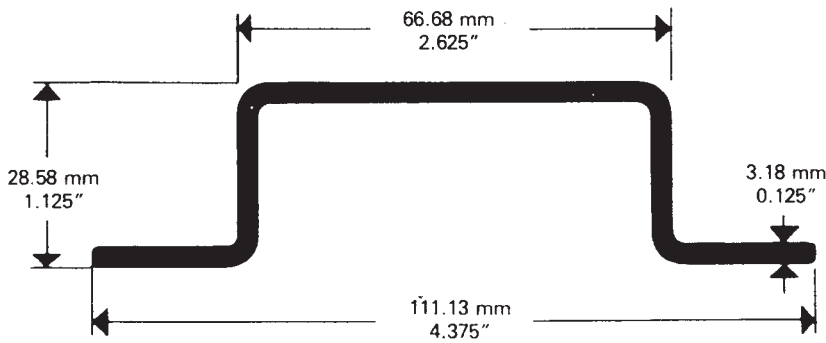
0.436 kg/ft
1.429 kg/m



TH12

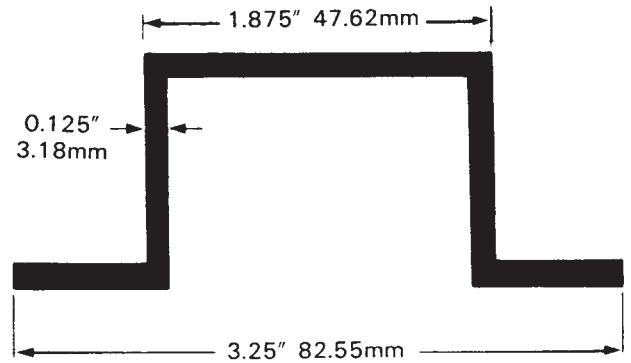
0.411 kg/ft
1.350 kg/m

End Casting CS46 available
See drawing page 44



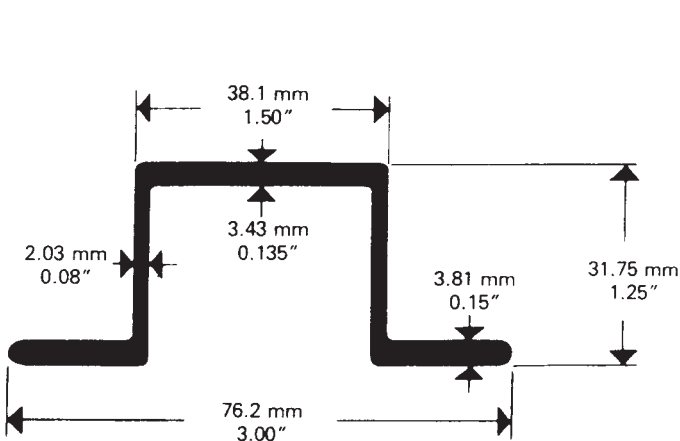
TH16

0.367 kg/ft
1.230 kg/m



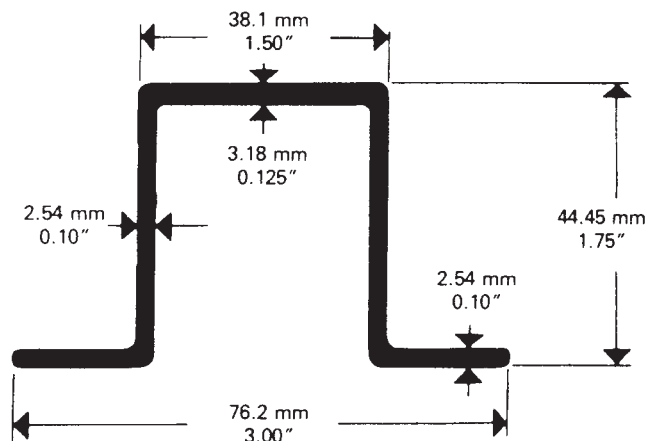
TH36

0.320 kg/ft
1.050 kg/m

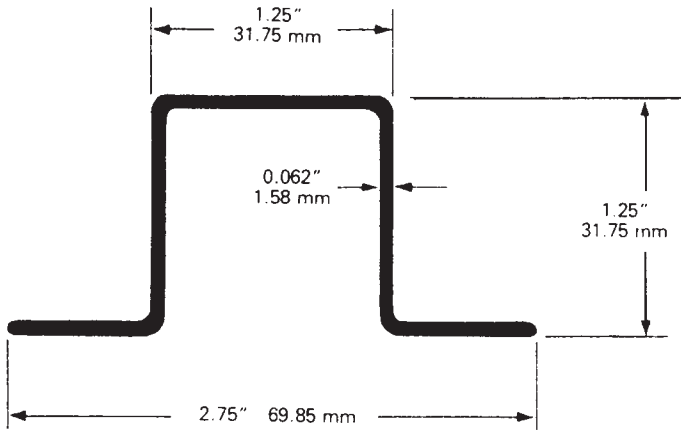


TH6

0.354 kg/ft
1.161 kg/m

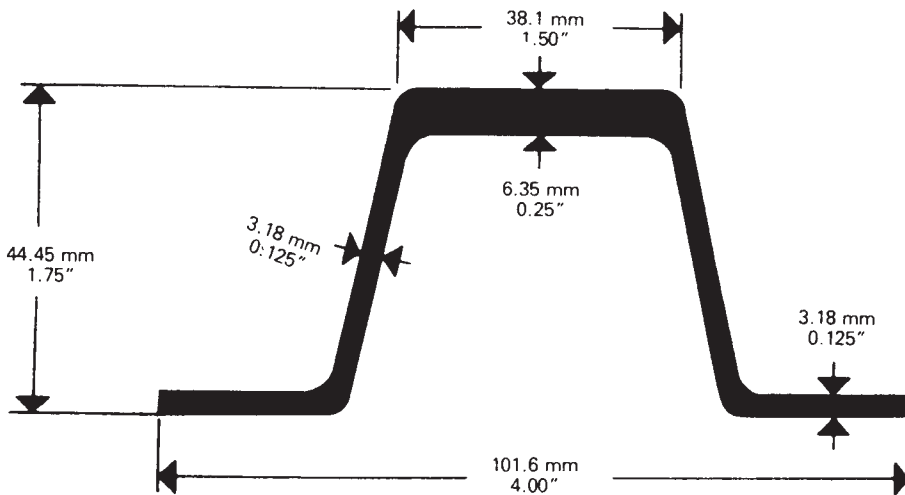
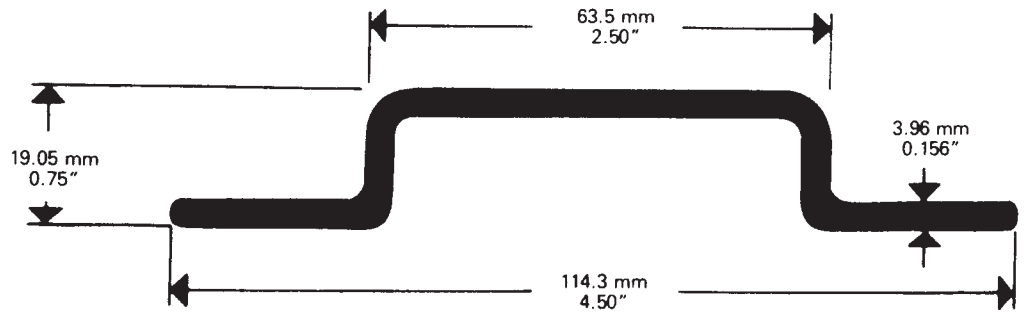


Top Hats/Rub Rails



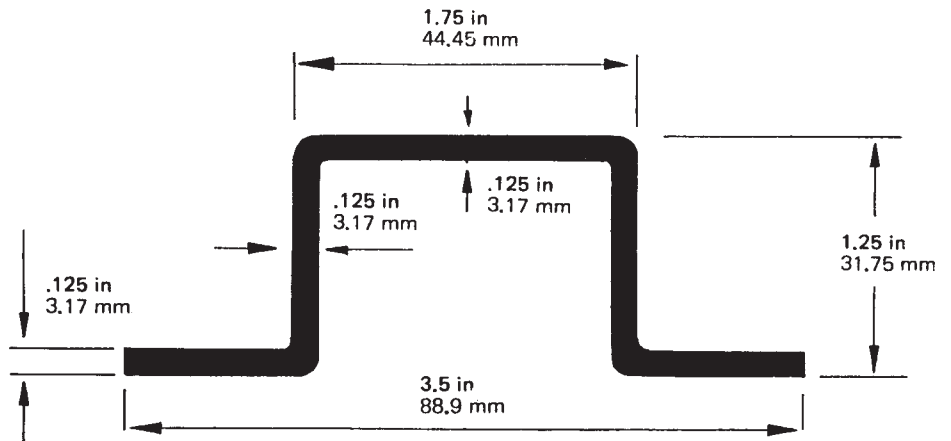
TH20
0.170 kg/ft
0.560 kg/m

TH13
0.455 kg/ft
1.493 kg/m

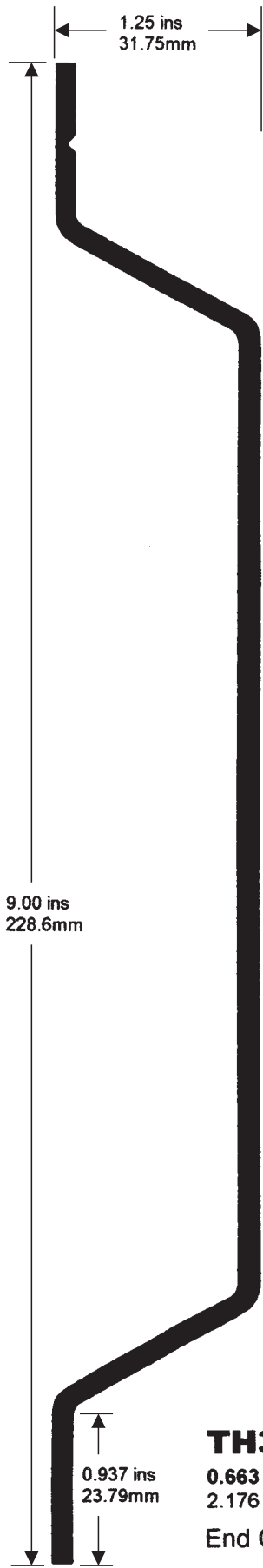


TH21
0.564 kg/ft
1.850 kg/m

TH410
0.389 kg/ft
1.276 kg/m



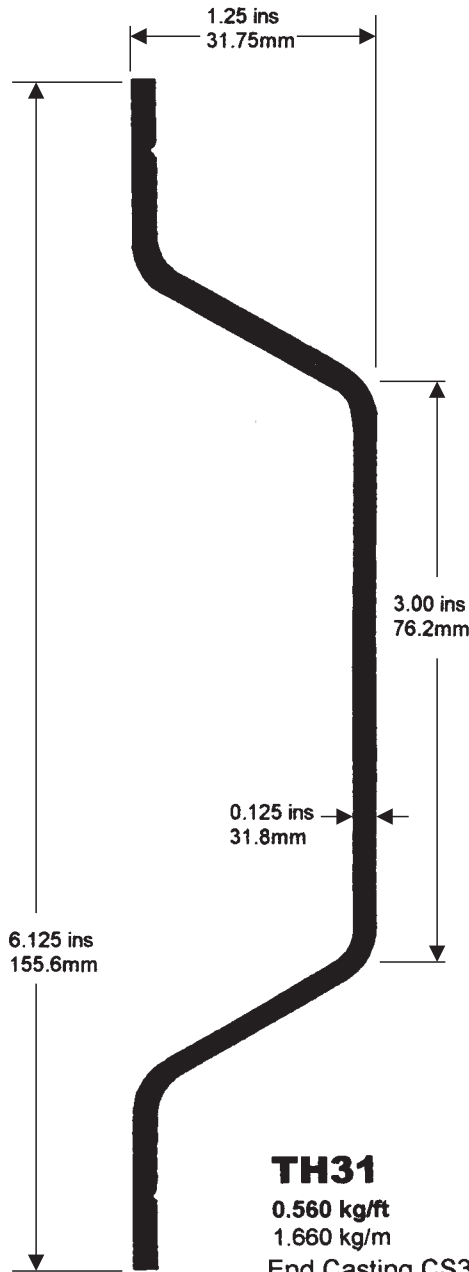
Top Hats



TH35

0.663 kg/ft
2.176 kg/m

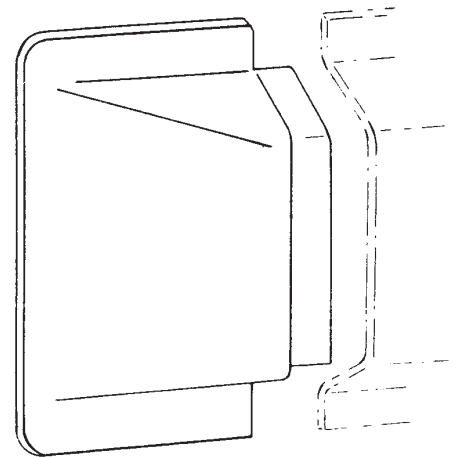
End Casting CS35 available



TH31

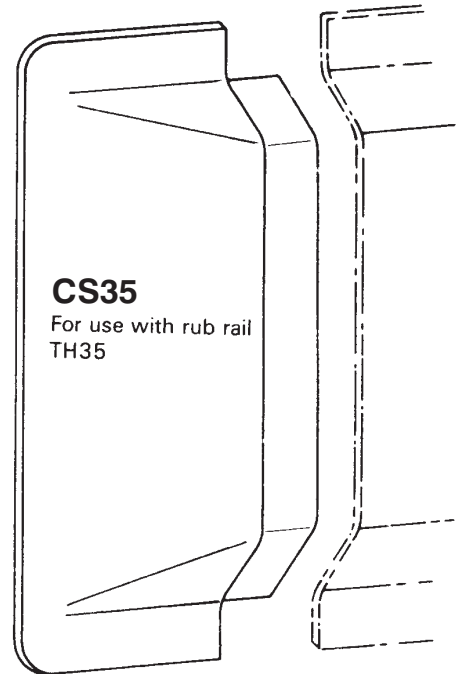
0.560 kg/ft
1.660 kg/m

End Casting CS31 available



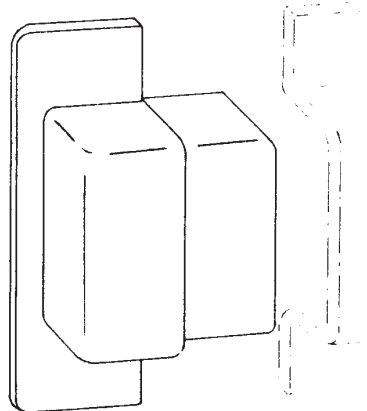
CS31

For use with rub rail
TH31



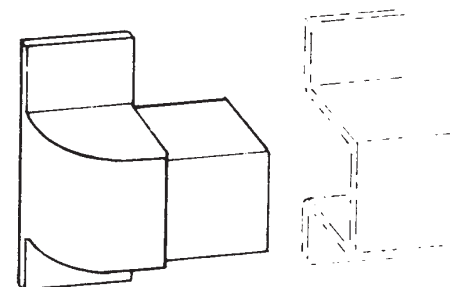
CS35

For use with rub rail
TH35



CS46

For use with rub rail
TH12



CS6F

For use with rub rail
TH7