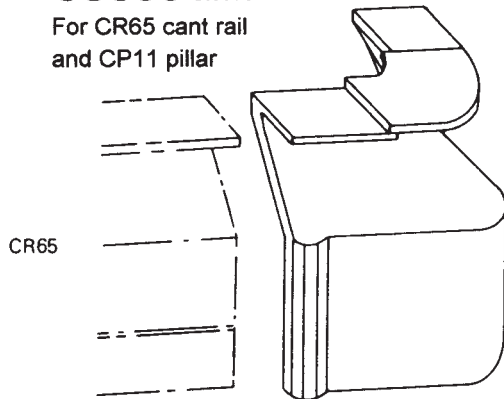


## CS200

For CR65 cant rail  
and any square pillar

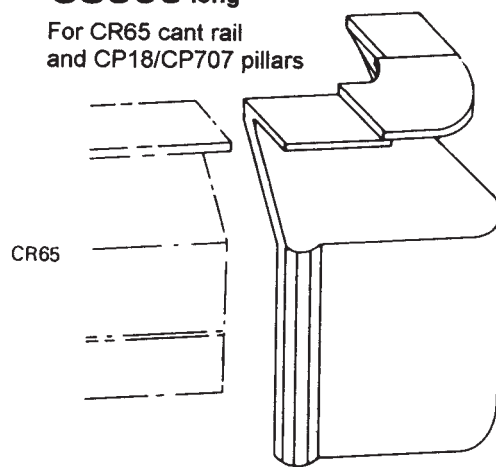
## CS300 short

For CR65 cant rail  
and CP11 pillar



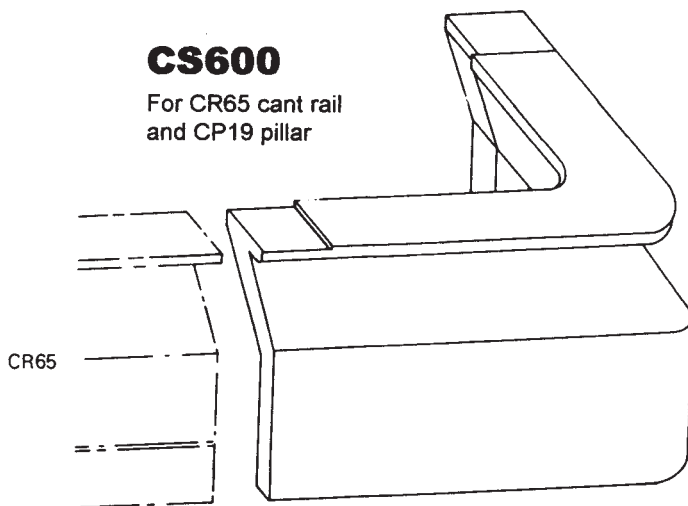
## CS300 long

For CR65 cant rail  
and CP18/CP707 pillars



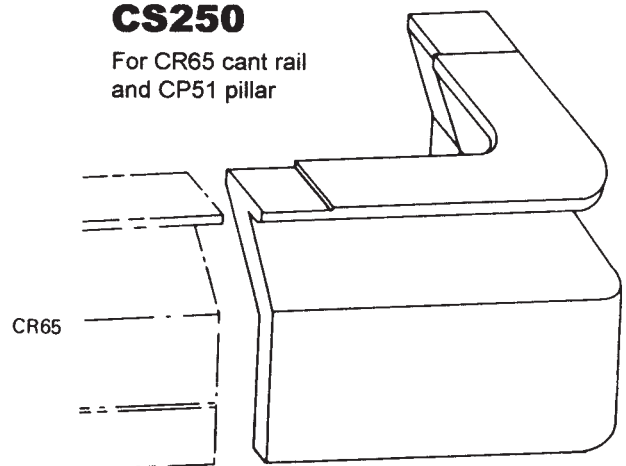
## CS600

For CR65 cant rail  
and CP19 pillar

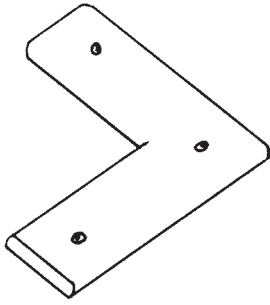


## CS250

For CR65 cant rail  
and CP51 pillar

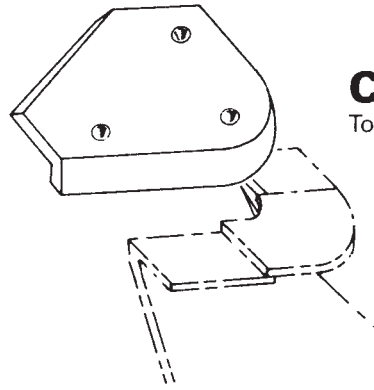


# Castings



## CS101

Top plate for all radius roofs

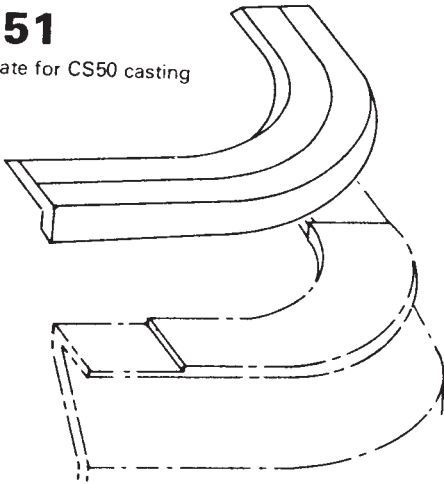


## CS100

Top plate for CS200/300 CS250

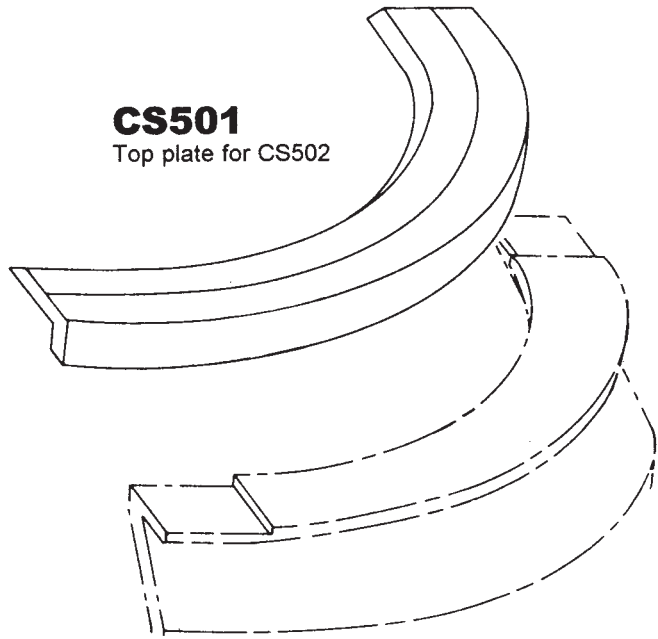
## CS51

Top plate for CS50 casting



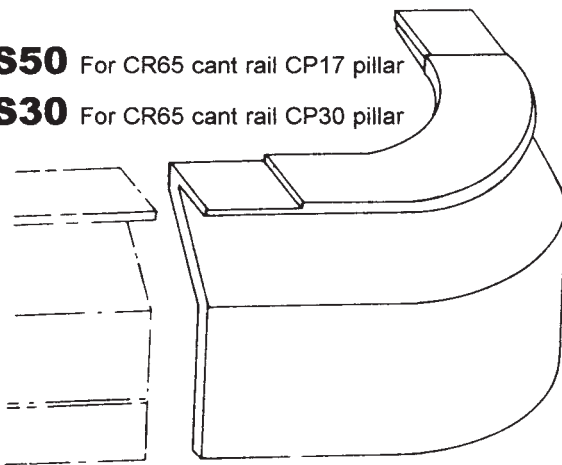
## CS501

Top plate for CS502



**CS50** For CR65 cant rail CP17 pillar

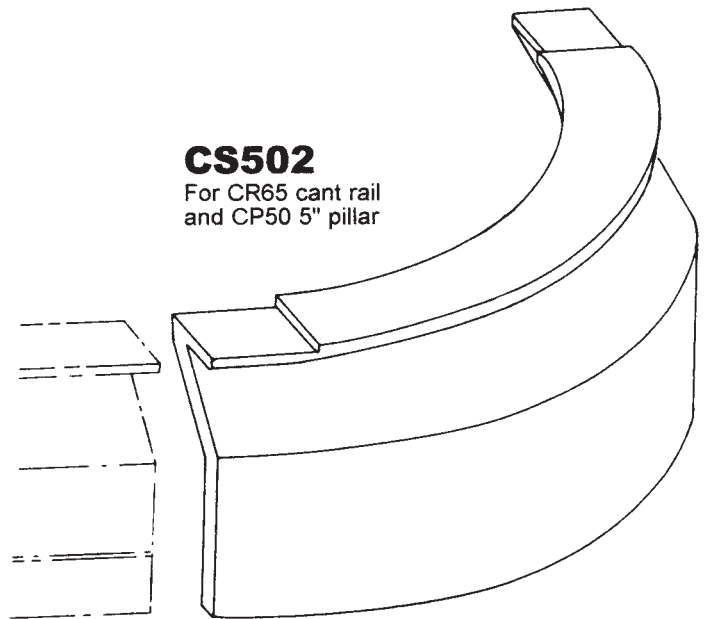
**CS30** For CR65 cant rail CP30 pillar



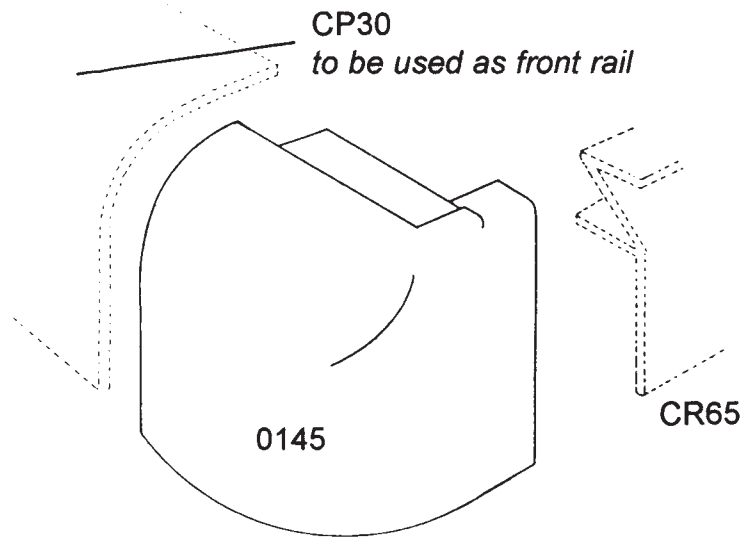
CR65

## CS502

For CR65 cant rail and CP50 5" pillar

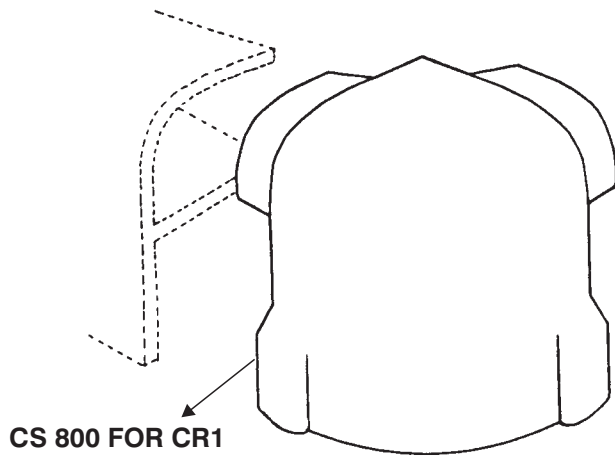


CR65



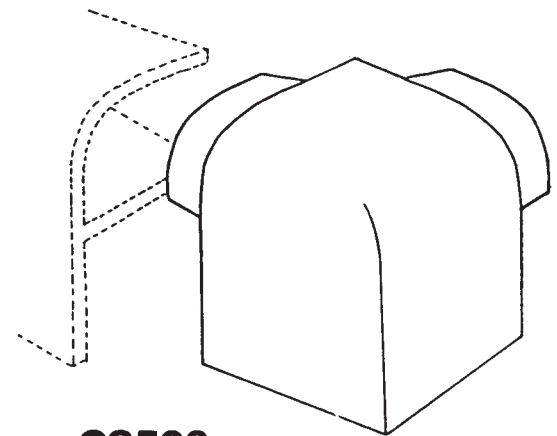
**0142** Handed left and right  
To fit 5" radius front casting to standard CR65 cant rail  
to fit pillars CP707/CP18/CP51/CP11

**0145** Handed left and right  
To fit 3" radius front casting to standard CR65 cant rail  
to fit pillar CP30 or CP17

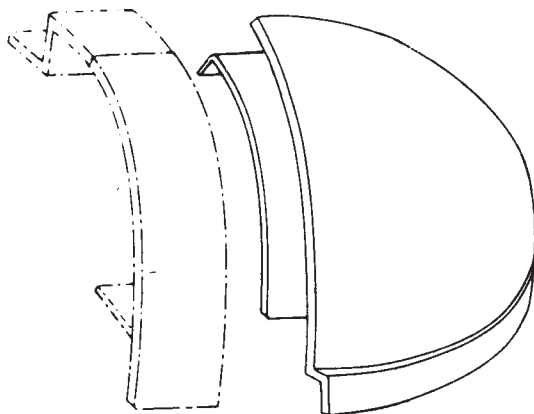


CS 800 FOR CR1  
FOR CP17 PILLAR  
CS 900 FOR CR1  
FOR CP30 PILLAR

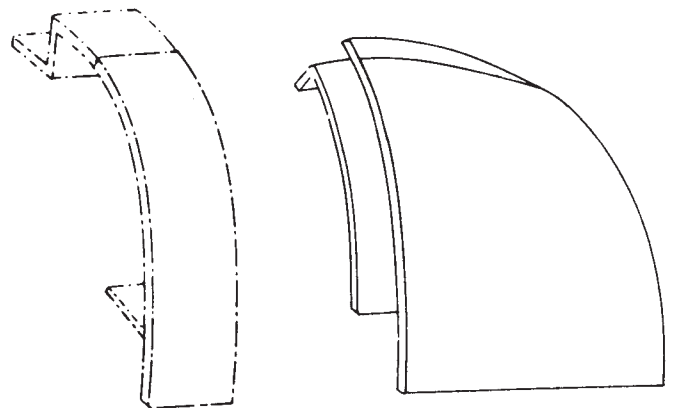
**CS400**  
For CR1 cant rail  
and CP707/CP18/CP11 pillars



**CS500**  
For CR1 cant rail  
for any square pillar



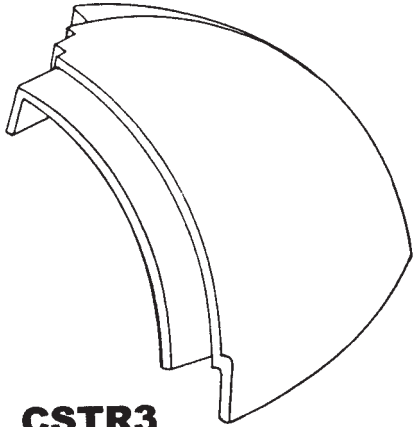
**CSF2**  
For CR55 cant rail  
and 5" radius CP50 pillar



**CSF1**  
For CR55 cant rail  
and Square corner pillar

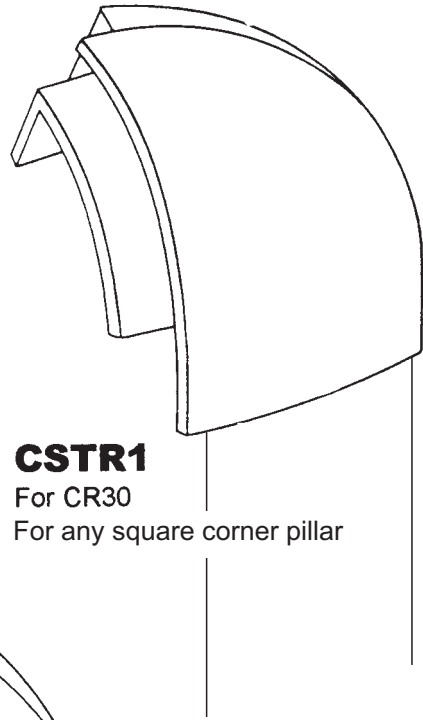
# Castings

---



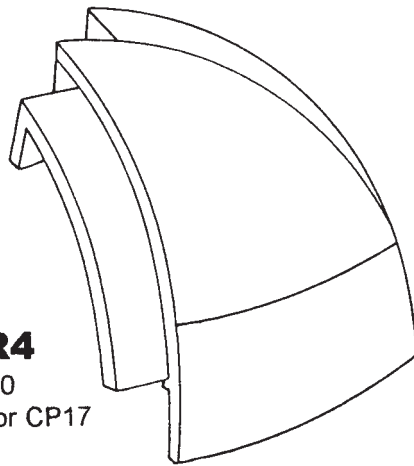
## **CSTR3**

For CR30  
3" rad. for CP30 3" corner pillar



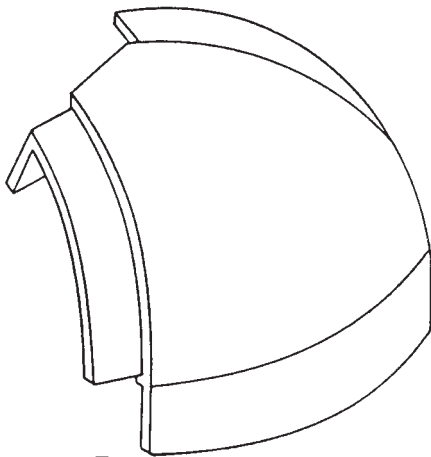
## **CSTR1**

For CR30  
For any square corner pillar



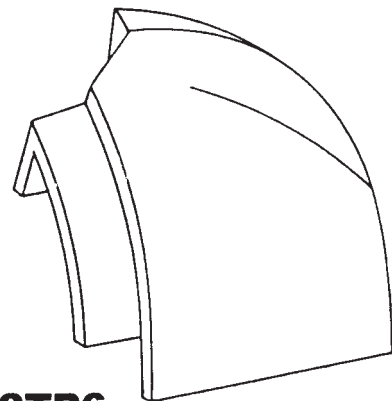
## **CSTR4**

For CR30  
3" rad. for CP17



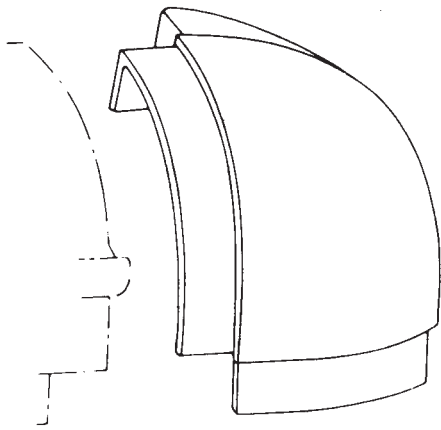
## **CSTR5**

For CR20  
2" rad. for CP20 only

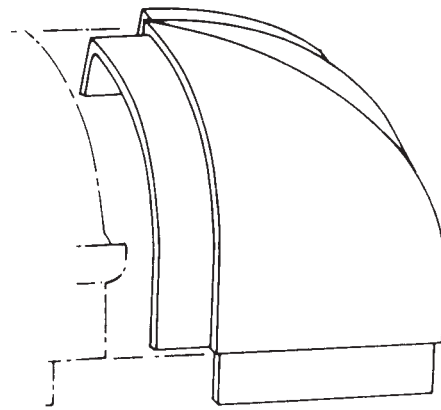


## **CSTR6**

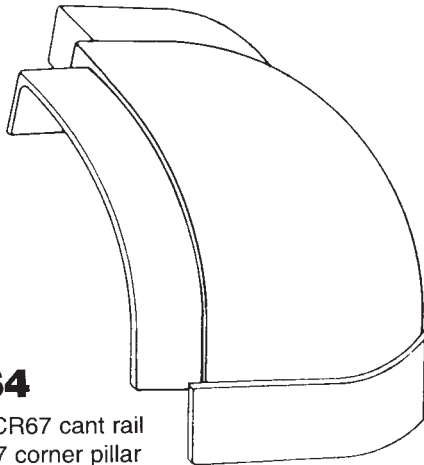
For CR20  
2" rad. for any square pillar



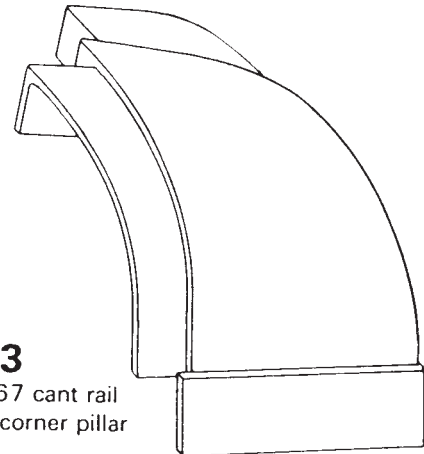
**CS11**  
For CR6 cant rail  
CP17 corner pillar



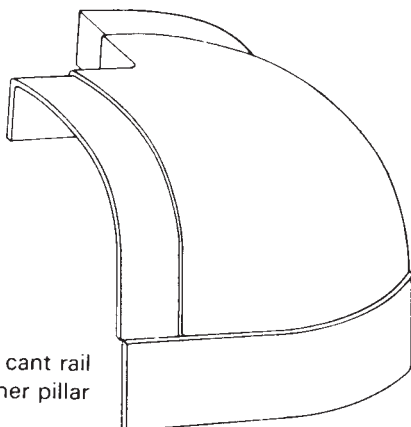
**CS18**  
For CR6 cant rail  
Square corner pillar



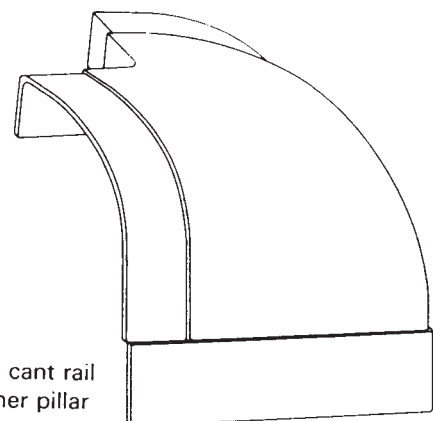
**CS4**  
For CR67 cant rail  
CP17 corner pillar



**CS43**  
For CR67 cant rail  
square corner pillar

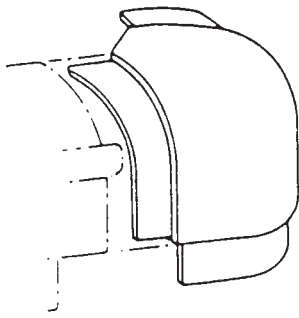


**CS45**  
For CR31B cant rail  
CP15B corner pillar

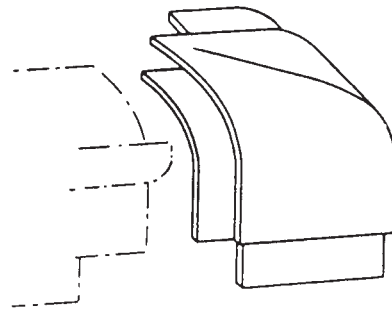


**CS47**  
For CR31B cant rail  
square corner pillar

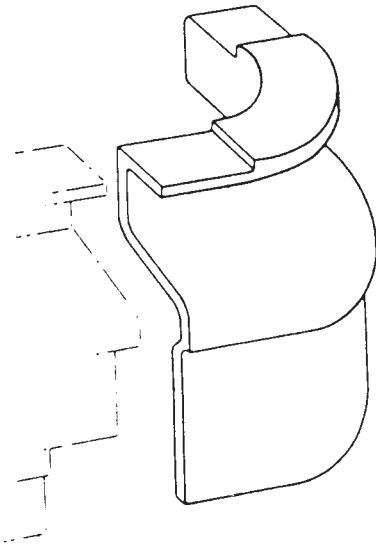
# Castings



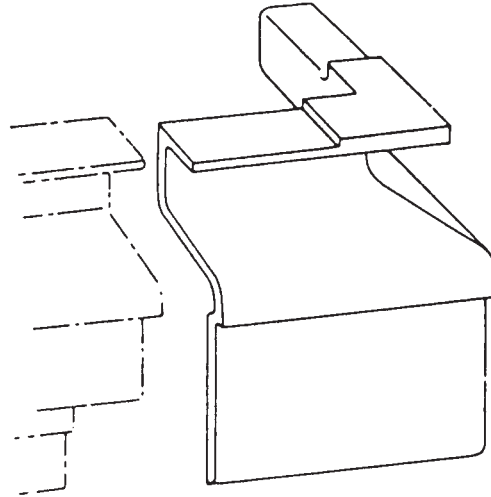
**CS2**  
For CR7/CP11  
radius pillar



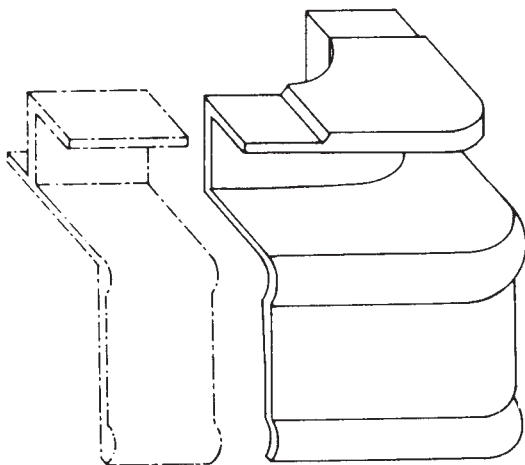
**CS3**  
For CR7  
square pillar



**CS12A**  
For CR18/CP17  
radius pillar

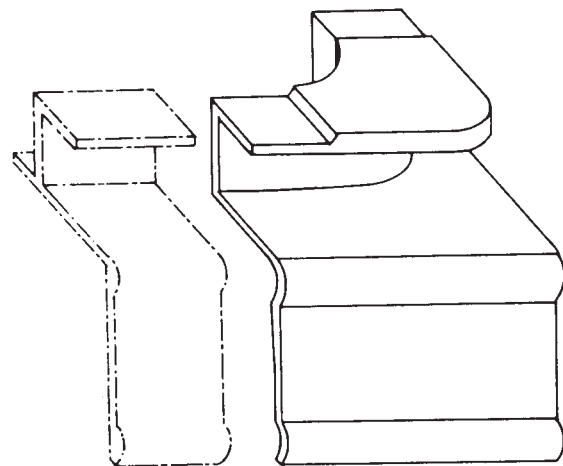


**CS12**  
For CR18  
square pillar



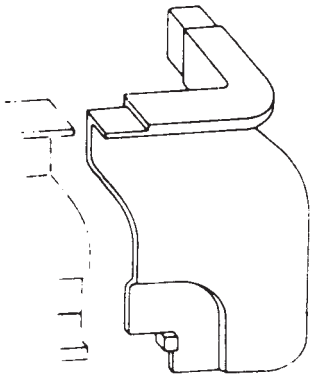
**SC2**

For CR52 cant rail  
CP 51 radius pillar  
or SC 33  
For CR 52 cant rail  
CP 52 radius pillar

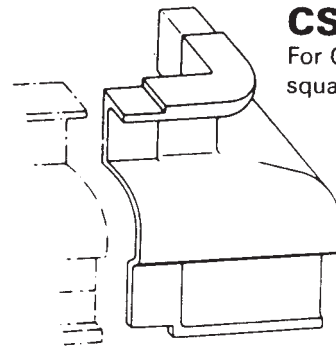


**SC4**

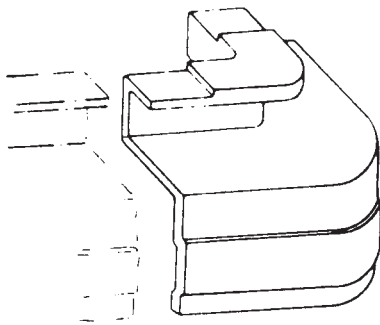
For CR52 cant rail  
Any square corner pillar



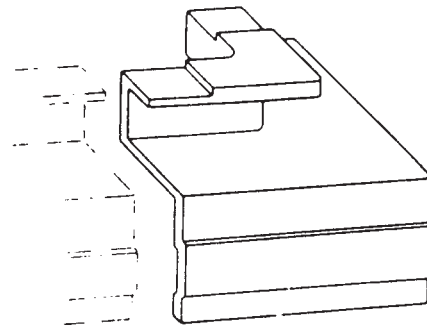
**CS15**  
For CR36 cant rail  
CP19 corner pillar



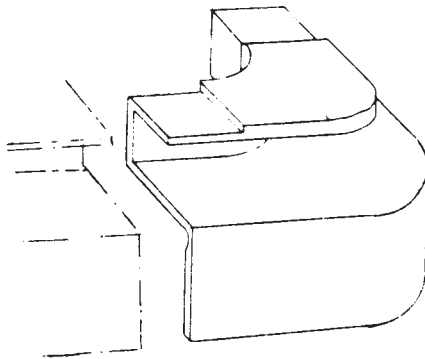
**CS16**  
For CR36 cant rail  
square corner pillar



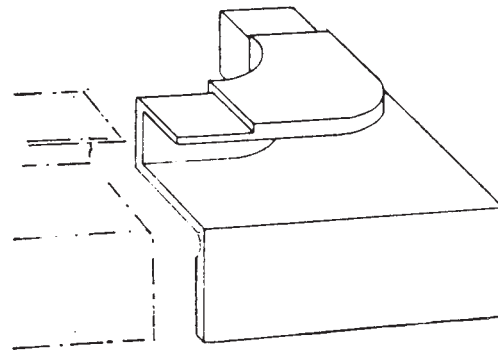
**CS33**  
For CR58/CT60 curtain track  
CP18 corner pillar



**CS34**  
For CR58/CT60 curtain track  
square corner pillar



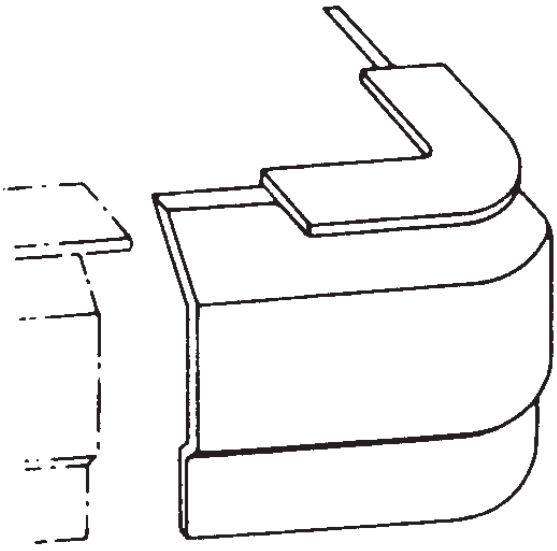
**CS39**  
For CR61 cant rail  
CP18 corner pillar



**CS38**  
For CR61 cant rail  
square corner pillar

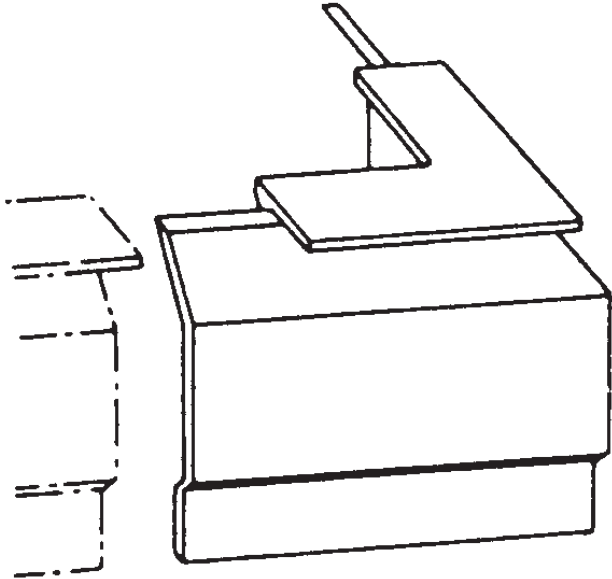
# Castings

---



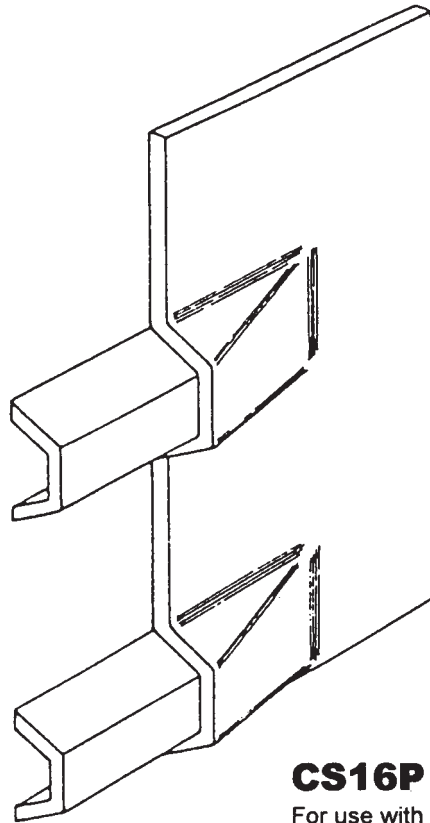
## **CS14**

For CR29 cant rail  
CP18 corner pillar



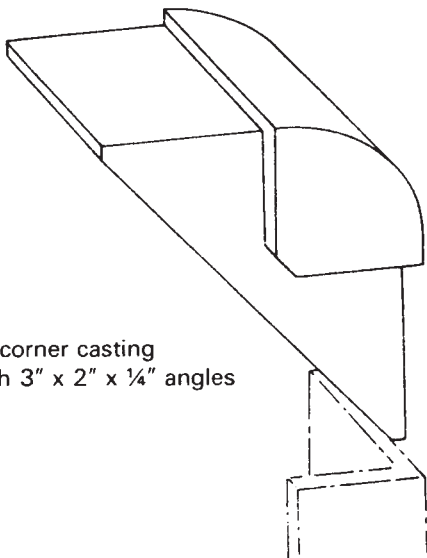
## **CS9**

For CR29  
square pillar



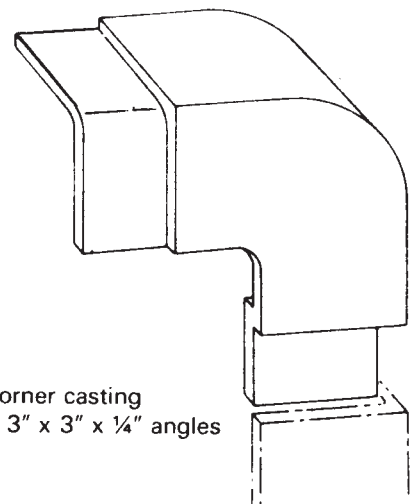
## CS16P

For use with LP15  
(supplied in pairs)



## CS1

Headboard corner casting  
For use with 3" x 2" x 1/4" angles



## CS10

Headboard corner casting  
For use with 3" x 3" x 1/4" angles