

SIZE AND LENGTHS AVAILABLE

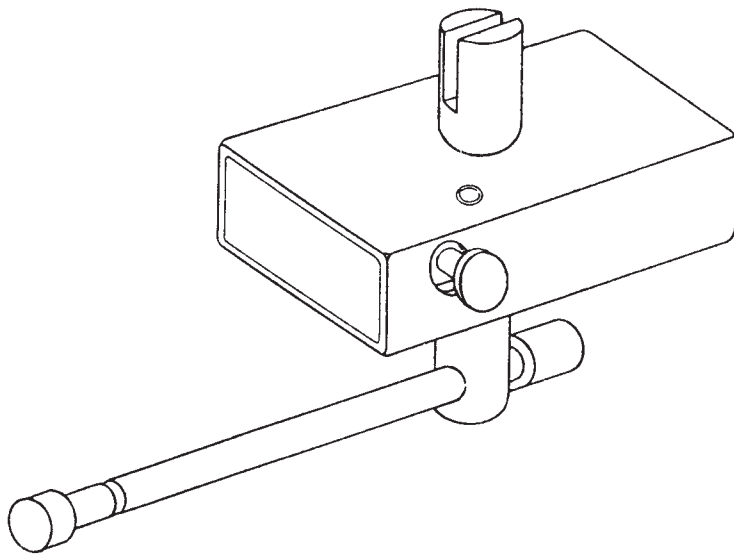
Code No.	Length	Height	Base		
STCP 01	8'0"	5 1/2"	x	5 1/2"	x 3/16"
STCP 02	8'0"	4"	x	4 1/4"	x 3/16"
STCP 03	8'0"	4"	x	4 1/4"	x 1/8"
STCP 04	10'0"	5 1/2"	x	5 1/2"	x 3/16"
STCP 05	10'0"	4 1/4"	x	5 1/2"	x 3/16"
STCP 06	10'0"	4"	x	4 1/4"	x 3/16"
STCP 07	10'0"	4"	x	4 1/4"	x 1/8"
STCP 08	12'0"	5 1/2"	x	5 1/2"	x 3/16"
STCP 09	12'0"	4 1/4"	x	5 1/2"	x 3/16"
STCP 10	12'0"	4"	x	4 1/4"	x 3/16"
STCP 11	10'0"	3" 4 1/4"	x	6"	x 3/16"

GALV PILLARS

STGCP 05	10'0"	4"	x	4 1/4"	x 4mm
STGCP 07	10'0"	4 1/4"	x	5 1/2"	x 4mm
STGCP 11	10'0"	3" 4 1/4"	x	6"	x 4mm
STGCP 12	12'0"	4 1/4"	x	5 1/2"	x 4mm

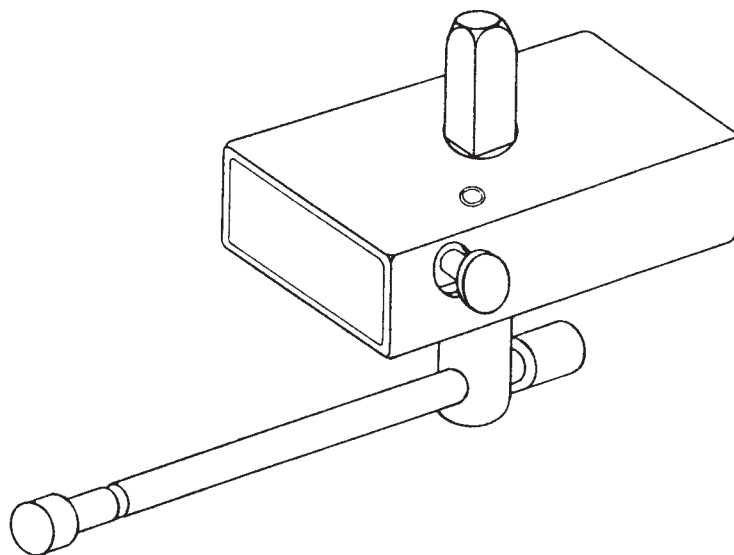
Curtain Tensioners

Various Tension Units are available - please refer to your local depot for fittings catalogue



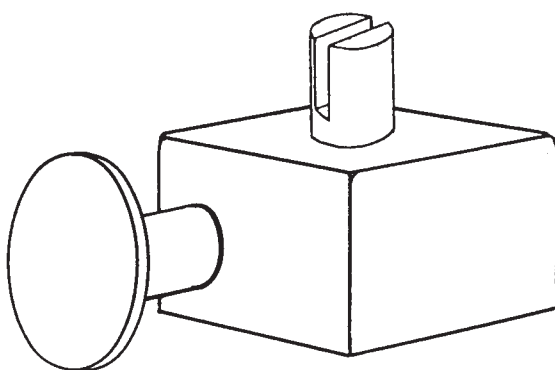
TU50

Round Top Tension Unit
Left or right hand



TU51

Square Top Tension Unit
Left or right hand



TU60

Heavy duty worm driven box Tensioner

FOUR NYLOTRON BEARINGS LUBRICATED FOR LIFE

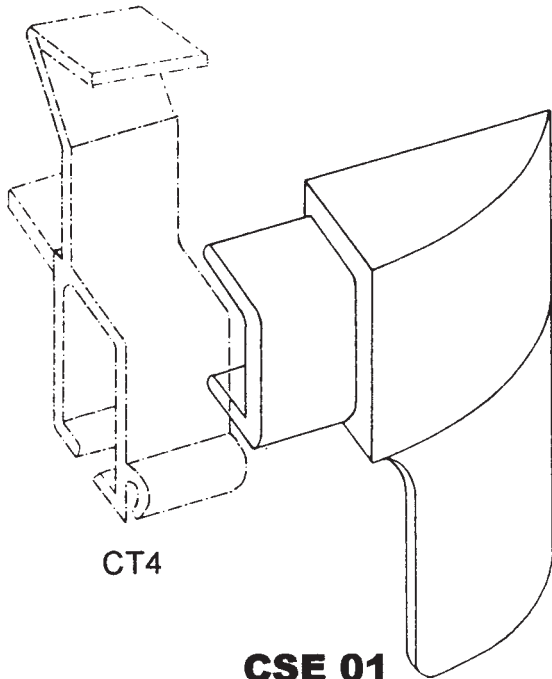
TWO NYLON PRESSURE WASHERS

MACHINE STEEL GEARS

HEAVY DUTY PLATING

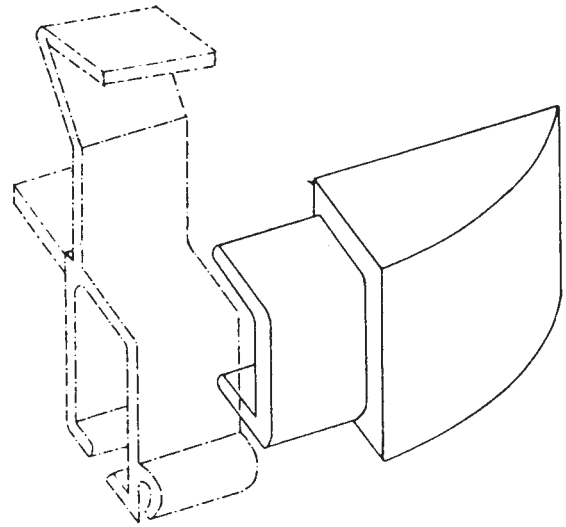
20-1 REDUCTION

Accessories



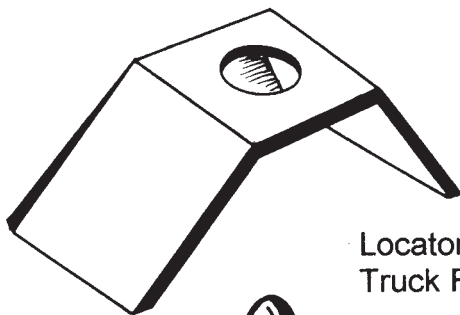
CT4

CSE 01
Long End Stop L/R
For CT4 Curtain Track



CT4

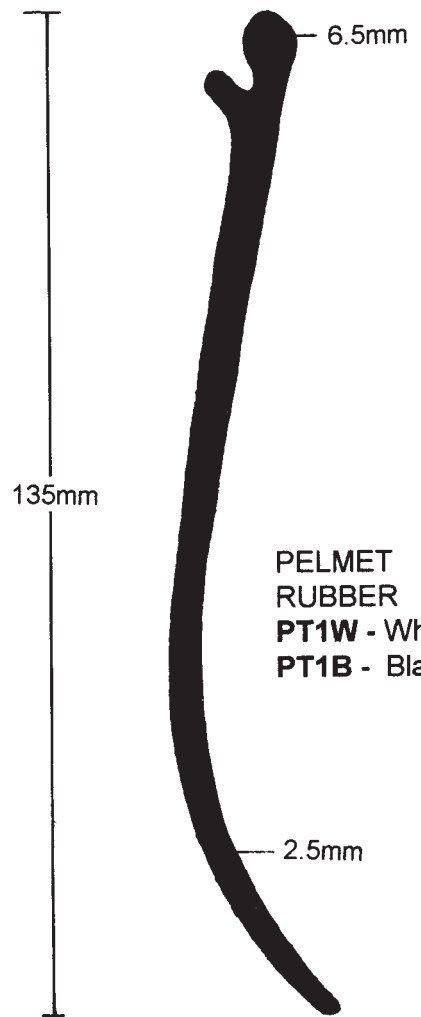
CSE 02
Short End Stop
For CT4 Curtain Track



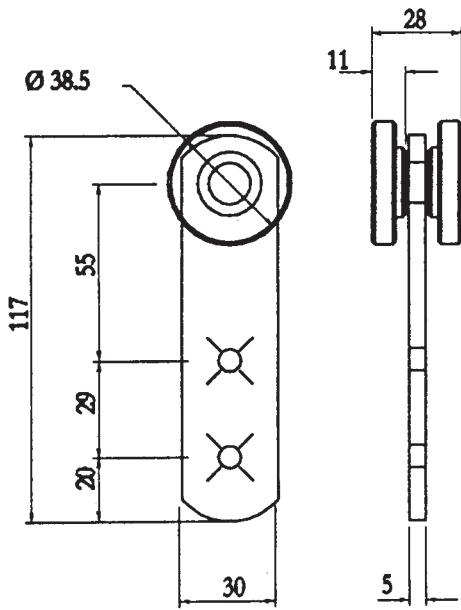
Locator to fit
Truck Roofs Pillars



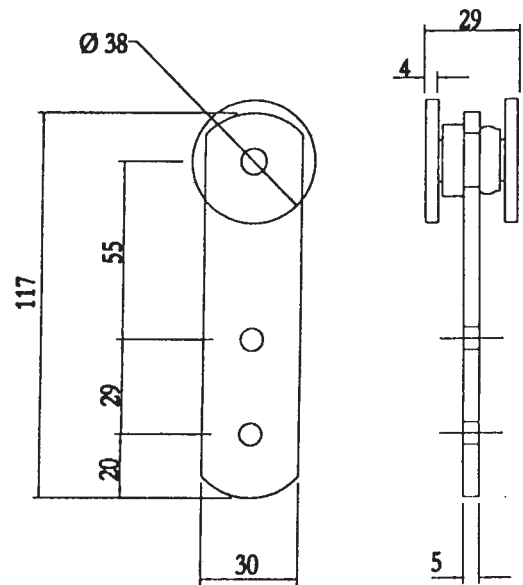
Bullet



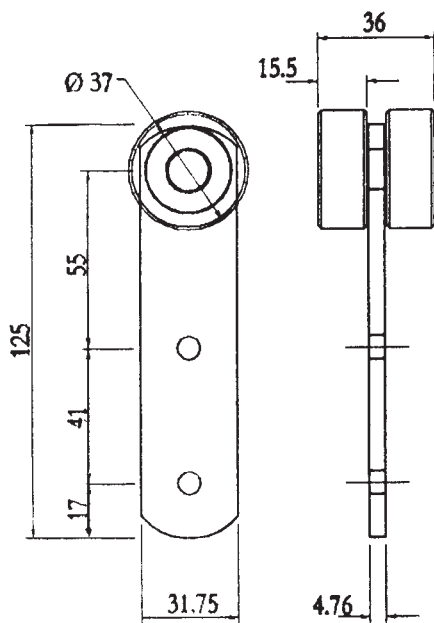
PELMET
RUBBER
PT1W - White
PT1B - Black



FW684T for Tracks CT3
CT4
CT6
CT7
CT10

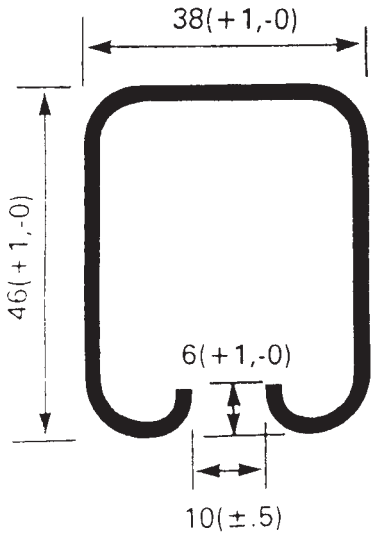


FW682
Steel Roller for Galvanised Track STG CT



FW787PW for CT8

Accessories



STG92/STG88 Curtain Track

Material: 2.0mm Galvanised Mild Steel
2.0mm Aluzinc Mild Steel

Weight: 2.26kg/metre

Availability: STG92 Length 45ft/13.5 metre
STG88 Length 25ft/7.6 metre
Other lengths made to order

STG Curtain Track is a universal track suitable for Most manufacturers rollers including PESCA all steel rollers numbers 682, 683 and 686.

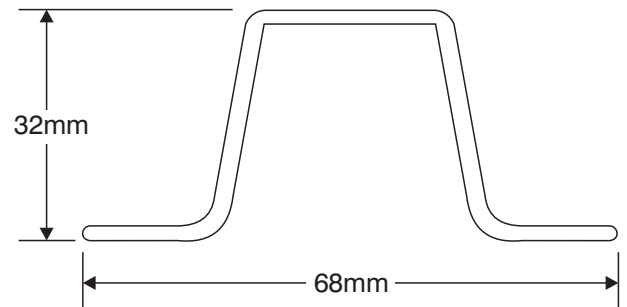
STG74/STG35 'Top Hat'

Material: 0.9mm Galvanised Mild Steel

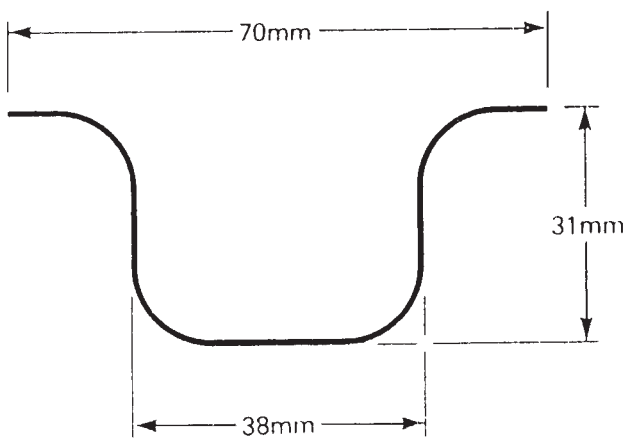
Weight: 0.84kg/metre

Availability: STG74 Length 2.5 metre 25mm rise flanges up
STG75 Length 2.5 metre 25mm rise flanges down
Other lengths available

Rises normally specified over 2.5 metres.



Roofsticks will normally be supplied legs on inside of radius but can also be supplied legs on outside of radius if specifically instructed



STG84/STG85 'Bowler Hat'

Material: 1mm Galvanised mild steel

Weight: 0.78kg/metre

Availability: STG84 Curved flanges up 2.5m long 25mm rise
STG85 Flat 2.5m long
STG86 Flat 7.5m long