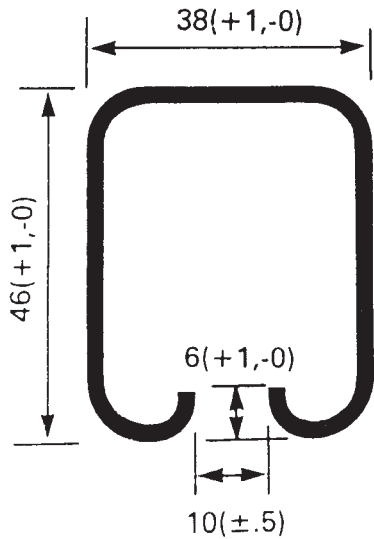


Miscellaneous Steel Sections



STG92/STG88 Curtain Track

Material: 2.0mm Galvanised Mild Steel
2.0mm Aluzinc Mild Steel

Weight: 2.26kg/metre

Availability: STG92 Length 45ft/13.5 metre
STG88 Length 25ft/7.6 metre
Other lengths made to order

STG Curtain Track is a universal track suitable for Most manufacturers rollers including PESCA all steel rollers numbers 682, 683 and 686.

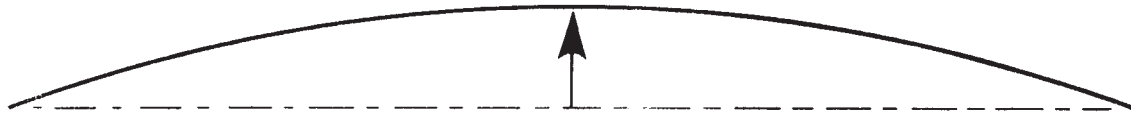
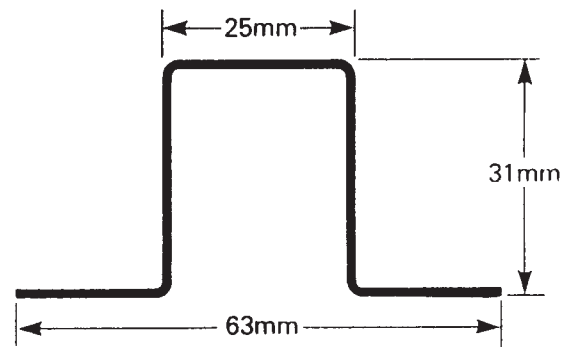
STG74/STG35 'Top Hat'

Material: 0.9mm Galvanised Mild Steel

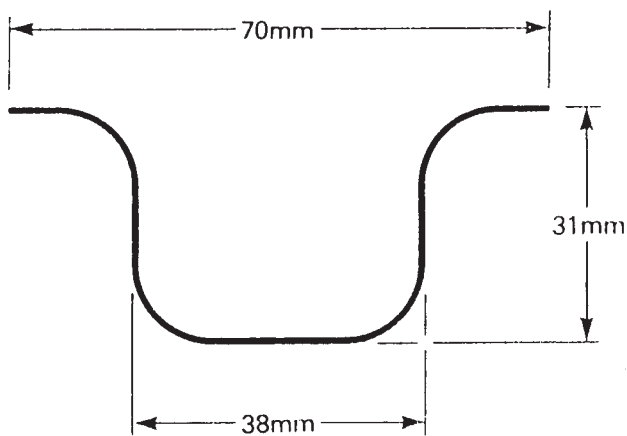
Weight: 0.84kg/metre

Availability: STG74 Length 2.5 metre 25mm rise flanges up
STG75 Length 2.5 metre 25mm rise flanges down
Other lengths available

Rises normally specified over 2.5 metres.



Roofsticks will normally be supplied legs on inside of radius but can also be supplied legs on outside of radius if specifically instructed



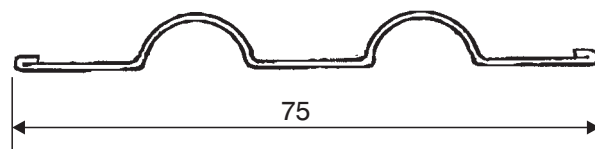
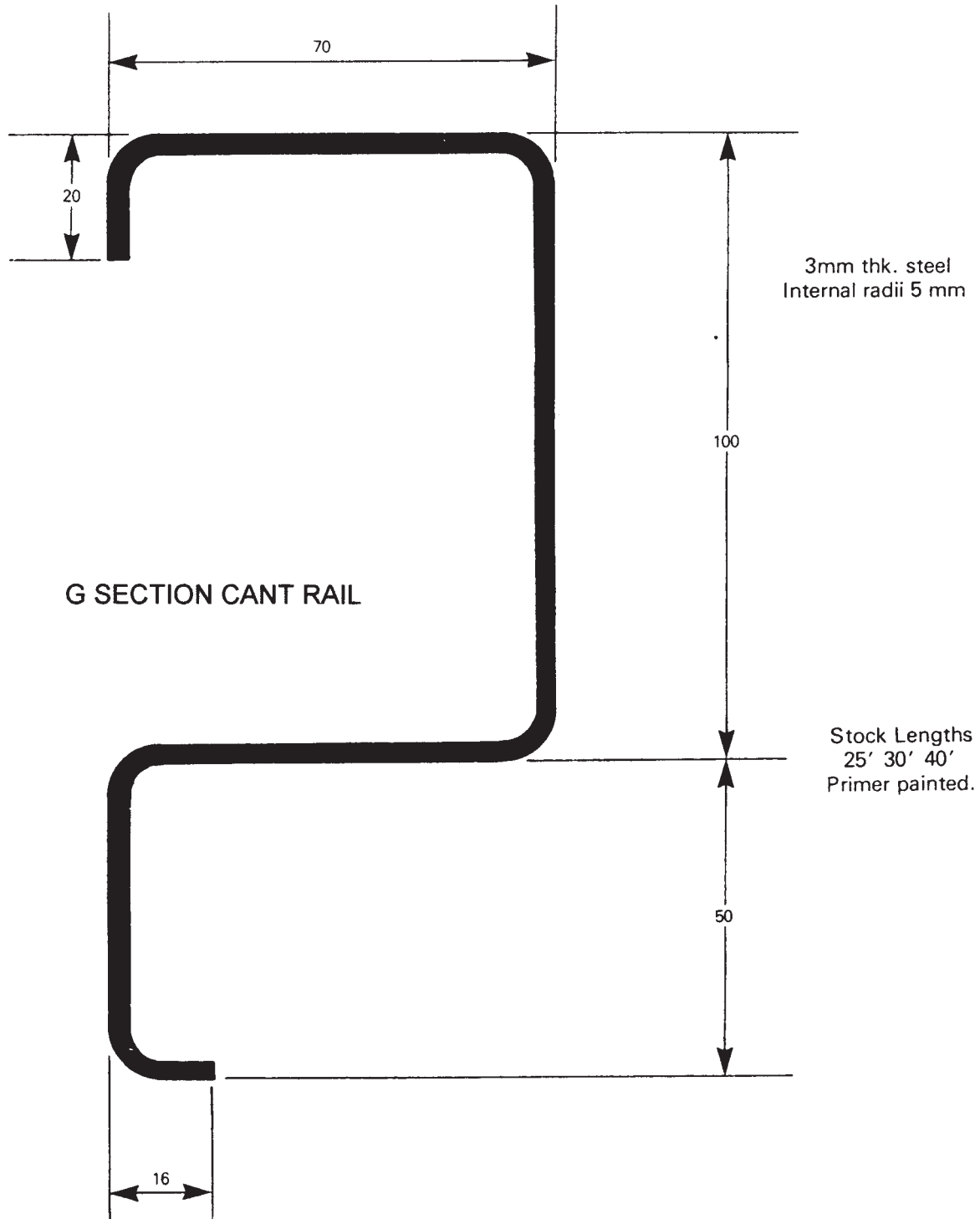
STG84/STG85 'Bowler Hat'

Material: 1mm Galvanised mild steel

Weight: 0.78kg/metre

Availability: STG84 Curved flanges up 2.5m long 25mm rise
STG85 Flat 2.5m long
STG86 Flat 7.5m long

Miscellaneous Steel Products

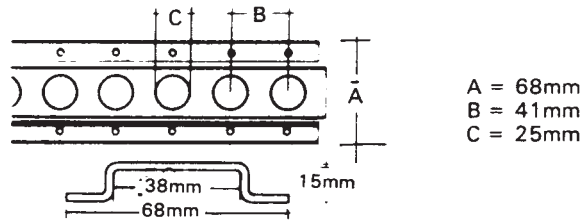


GALVANISED TIE RAIL
AVAILABLE IN 24^{FT} LENGTHS

Miscellaneous Steel Sections

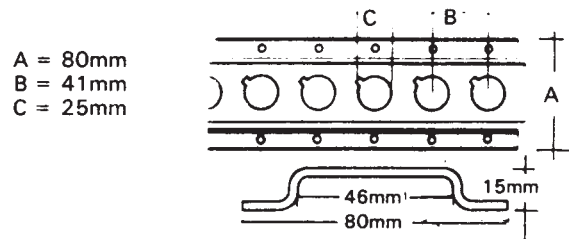
1805

Type 1805 Standard duty 1.8mm produced from pre-galvanised mild steel. For horizontal and vertical installation. Length 3048mm. Suitable for telescopic shoring poles and webbing lashing assemblies.



1806

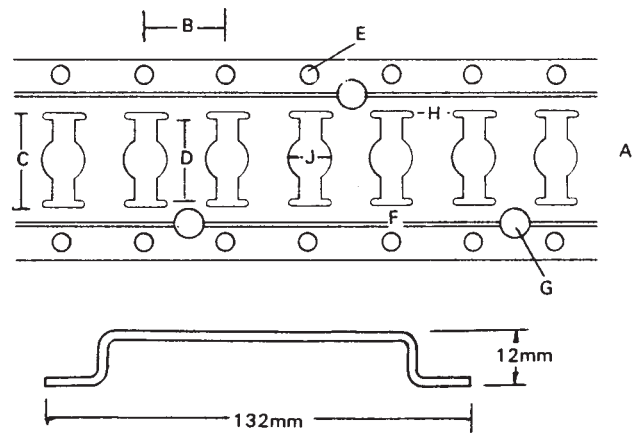
Type 1806 — Heavy duty produced from micro alloyed steel, zinc plated to ZN3. Also available in stainless steel 15mm top hat section. For horizontal and vertical installation. Length 3048mm. Suitable for telescopic shoring poles, decking beam brackets, garment rails and webbing lashing assemblies.

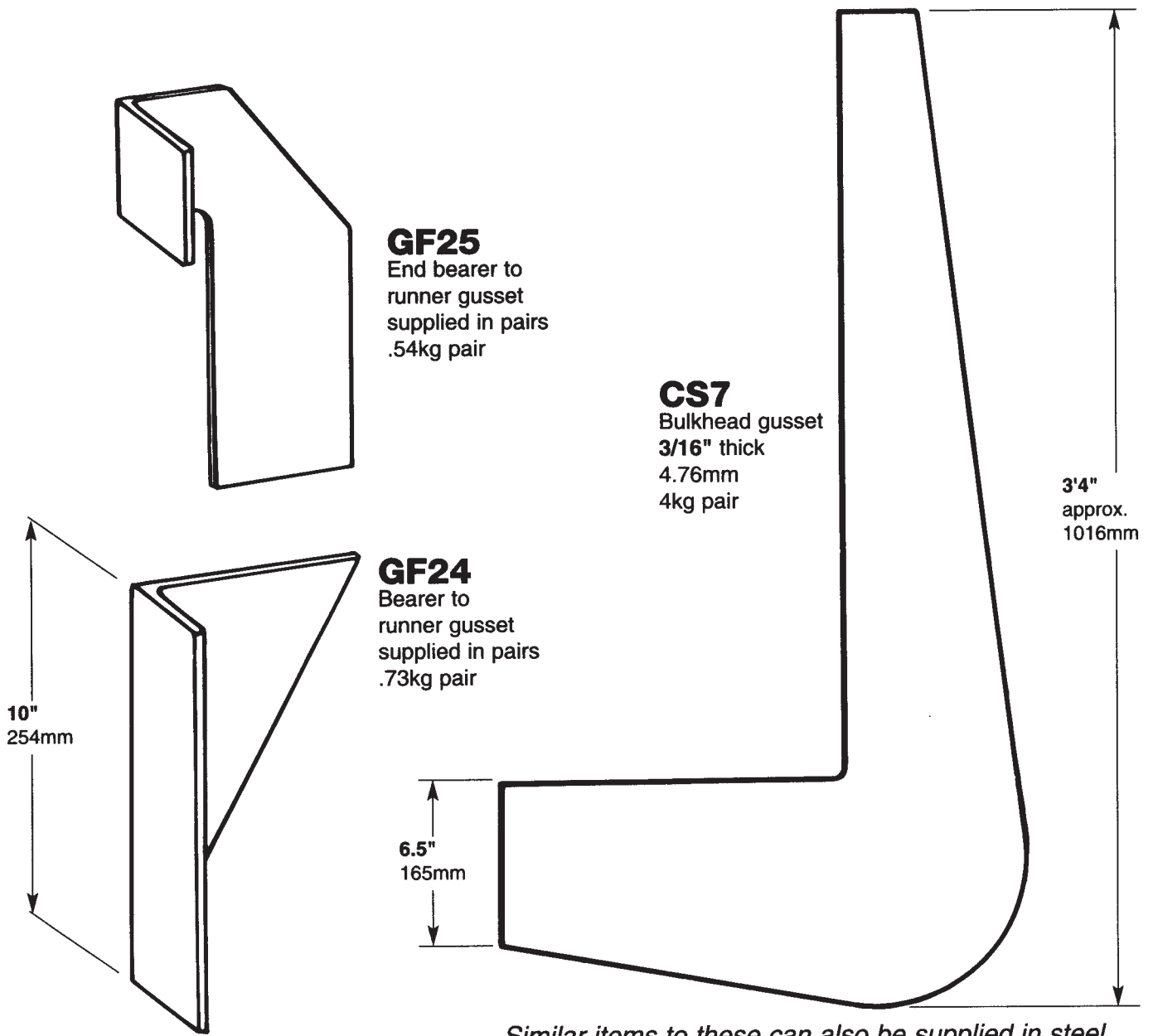


60025

2.5mm thick produced from zinc, passivated, yellow plated. Multi load track with universal slots and drainage holes

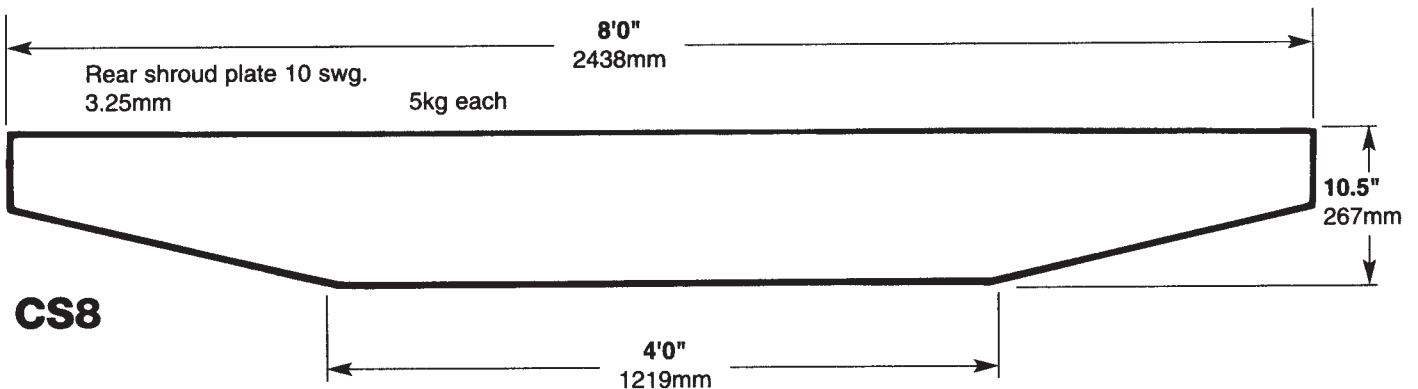
- A = 132mm
- B = 51mm
- C = 61mm
- D = 51mm
- E = 5mm dia.
- F = 25mm
- G = 14mm dia
- H = 13mm
- J = 25mm dia





Similar items to these can also be supplied in steel

Shroud Plate



FABRICATION SERVICE

**In addition to our many standard profiles
we have equipment at our Braintree Depot
to fabricate steel and aluminium**

The following services are available:

**MILLING (VERTICAL MILL BRIDGEPORT)
CUTTING & EXTRUSION COMPONENT PRE-DRILLING
WELDING - MIG & TIG FACILITIES
PLASMA CUTTING - ALUMINIUM & STEEL
BRAKE PRESSING UP TO 250 TONNES & 4 MTR LONG
DE - BURRING FACILITIES FOR ALUMINIUM EXTRUSIONS**

*We welcome your enquiries to discuss
any requirements you may have*