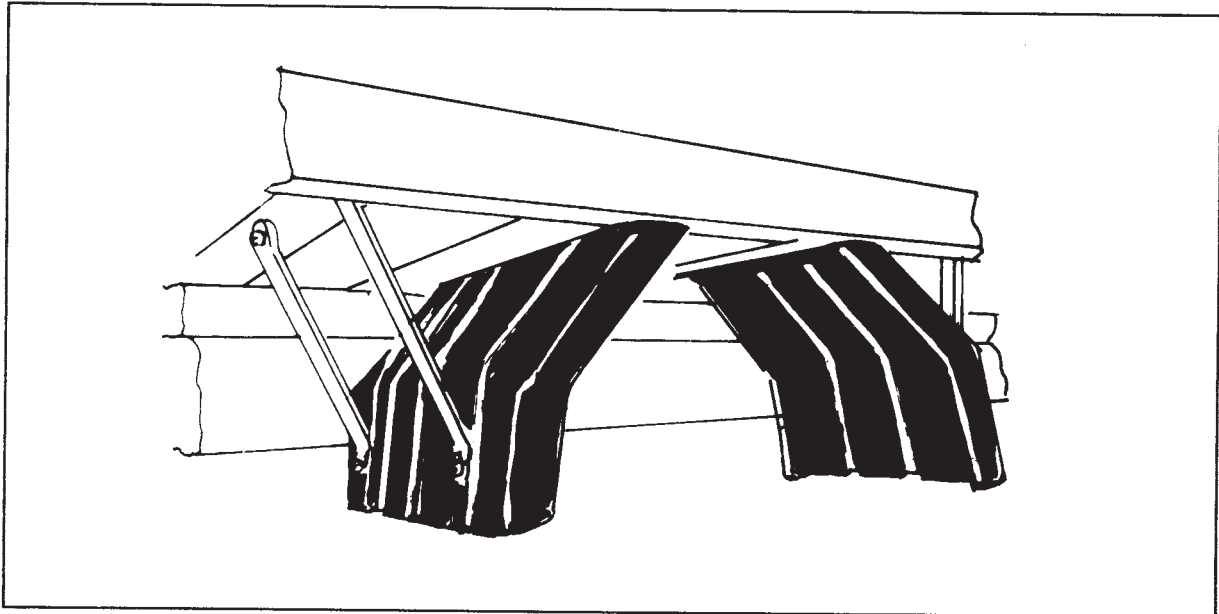


Parlok Wheelspats



Product Information

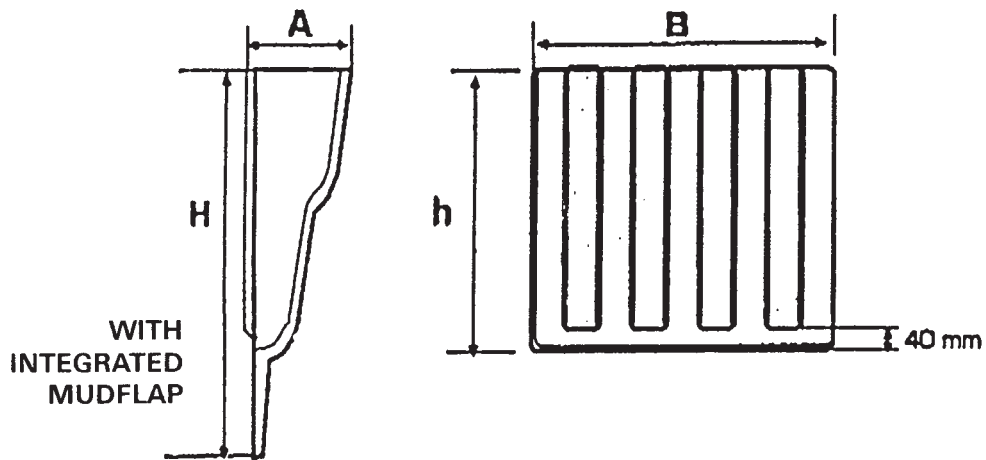
Description	Parlok Wheelspats are 20% lighter than other medium density products requiring less supporting metal work.
Material	High density polyethylene. Superior impact strength and tear-resistance over medium density, reshapes after impact.
Manufacture	Process type, giving solid pore free structure and controlled material thickness ensuring longer service life.
Durability	Will not rust or corrode, unaffected by oils, petroleum spirit, solvents and chemicals.
Temperature	Engineered to withstand temperature extremes from -50°C to $+110^{\circ}\text{C}$. Proven in Scandinavia and Middle East. Retains flexibility without brittleness at low temperatures, maintains shape and structure in heat.

Part Number	Dimensions	Weight
PW46070	Breadth 460mm - Length 700mm	6.4 kgs per axle set
PW67070	Breadth 670mm - Length 720mm	8.0 kgs per axle set

Parlok Spat

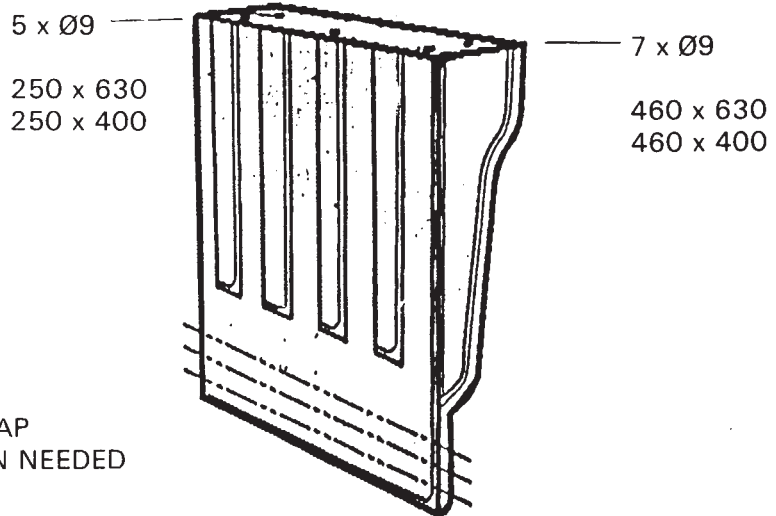
Sizes available

PARLOK CODE	B	H	h	A	For tyre sizes with radius up to 18"
5026395	250		400	100	SINGLE TYRES
5026390	250	630		100	SINGLE TYRES
5026375	460		400	100	TWIN TYRES
5026370	460	630		100	TWIN TYRES



INSTALLATION

WITH SCREWS OR RIVETS DIRECT UNDER THE BODY
ONLY WASHERS Ø30mm ARE NEEDED



LENGTH OF THE INTEGRATED FLAP
CAN EASILY BE ADJUSTED WHEN NEEDED