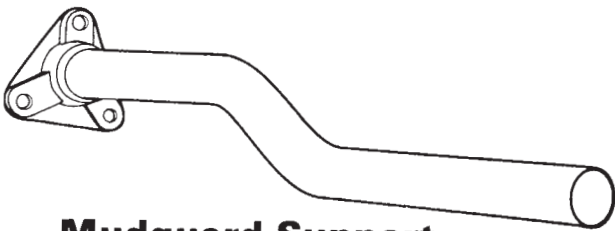
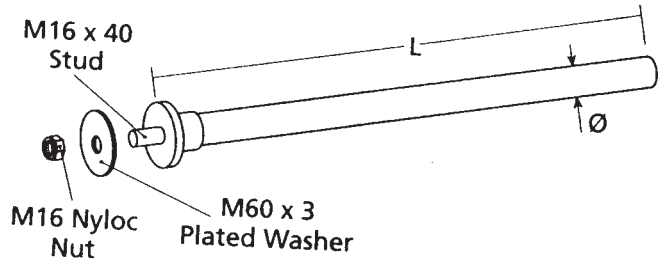


### Mudguard Support Straight

Part Number  
WS600

*When ordering, add length required and finish symbol as suffix to part number*

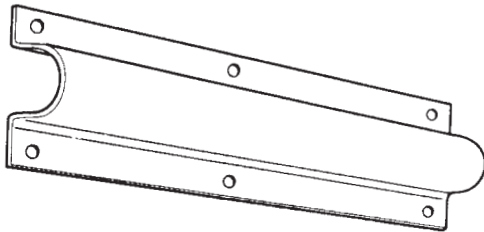
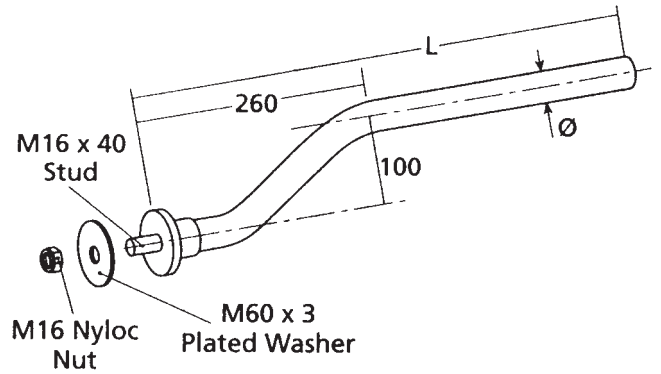
### SM34 SSBB



### Mudguard Support Cranked

Part Number  
WS600C

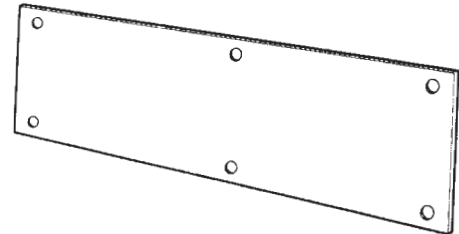
*When ordering, add length required and finish symbol as suffix to part number*



### Support Bracket

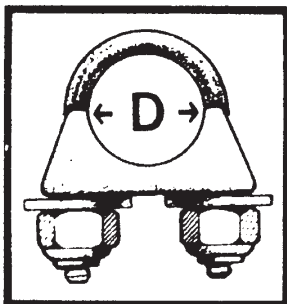
Part Number  
WSBR

*When ordering, add finish required symbol as suffix to part number*



### Backing Plate

Part Number  
WSBP



**"U" Clamp** for use with a Tube Stay

**Available in Three Sizes**

**Tube Dia.**

35mm (1<sup>3</sup>/<sub>8</sub>" Tube

42mm (1<sup>5</sup>/<sub>8</sub>" Tube

48mm (1<sup>7</sup>/<sub>8</sub>" Tube