

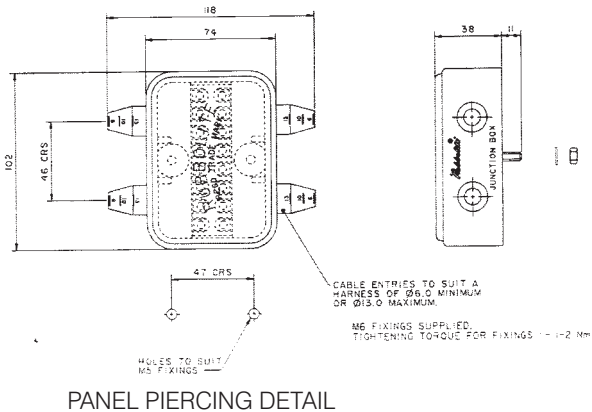
MODEL 108 JUNCTION BOX



The electrically insulated housing is fitted with a transparent cover to facilitate inspection without removal and the tapered cable entries can be cut at a section to suit the size of cable used. For ease of wiring the terminal block can be connected up before insertion into the location provided in the housing and it provides 8 heavy duty screw-down connectors.

MODEL NUMBER	
108/01/00	Natural rubber housing

SPARES	
Description	Part Numbers
Cover	1854
Terminal Block	2068



MODEL 111 JUNCTION BOX



The seal in the transparent lid is compressed accurately by engagement of the 4 quick-release positive-lock studs, which require a quarter-turn only between release and lock. These fasteners are held captive, as are the two M6 base fixing bolts, so avoiding time-wasting retrieval, and the 4 rubber cable entries can be cut to accept various sizes of cable.

The box is supplied without terminal block, for use as a fuse box or to protect an existing bullet and sleeve connection, or with various terminal blocks for different connectors. These are removable for ease of fixing.

In addition, a double height box with 8 cable entries is available in some patterns.

MODEL NUMBERS		
Description	Single Height Box	Double Height Box
Basic Junction Box without Terminal Block	111/01/00	111/07/00
Junction Box with 8-way Terminal Block	111/01/01	111/07/01
Junction Box with two 8-way Terminal Block	111/01/02	111/07/02
Junction Box with one 14 x 4-way spade Terminal Block	111/01/03	111/07/03
Junction Box with 15 stud terminal board to accept ring connectors, and with option of earth return through fixing stud	111/01/04	111/07/04

SPARES	
Description	Part Numbers
Lid Assembly	3144
Lid Retainer (packs of 100)	3123
Terminal Block (8-way)	2068
Terminal Block (14 x 4 way spade)	3031
Terminal Board (15 stud)	2853

