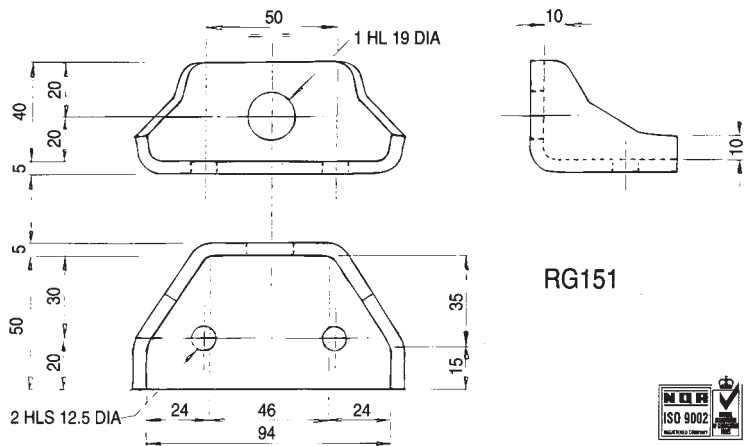


RG150

Mercedes Atego front chassis mounting supplied with washer to suit Model No's 815 - 1523

RG151

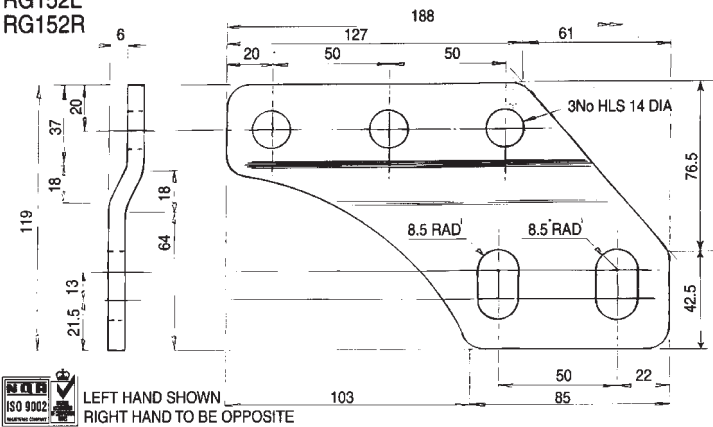
Mercedes Atego pressed chassis mounting bracket to suit Model No's 815 - 1523



RG151



**RG152L
RG152R**

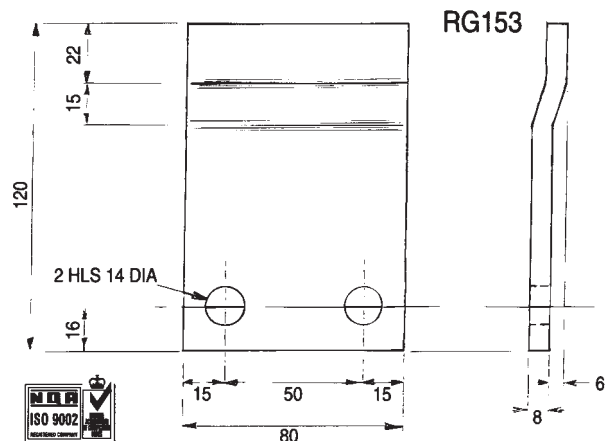


RG152 L & R

Mercedes Atego curved chassis plates to suit Model No's 815 - 1107

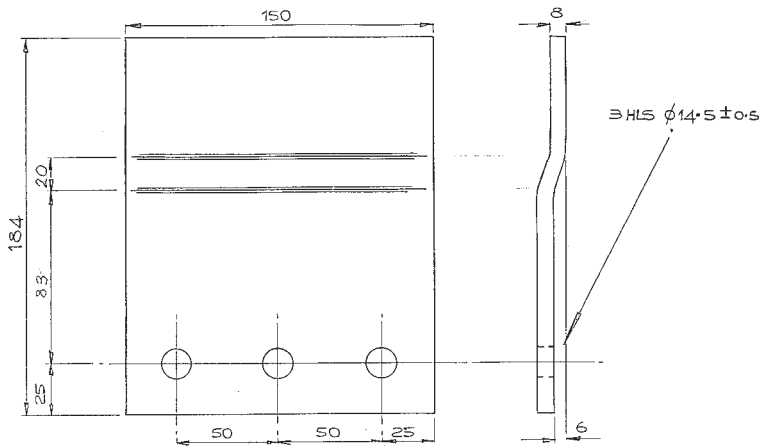
RG153

Mercedes Atego stabilising plate to suit Model No's 815 - 1107.



RG153



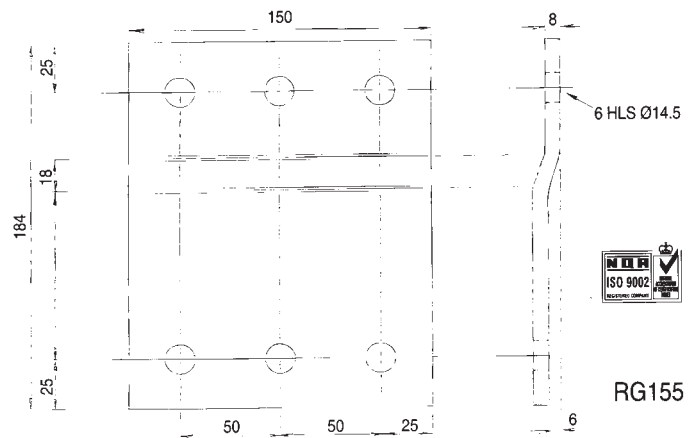


RG154

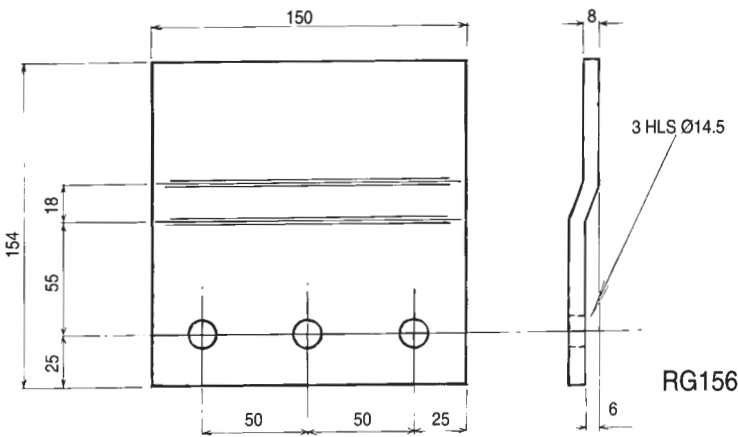
Mercedes Atego stabilising plate to suit model No's 1217 - 1523.

RG155

Mercedes Across chassis plate to suit Model No's 1217 - 1523



RG155



RG156

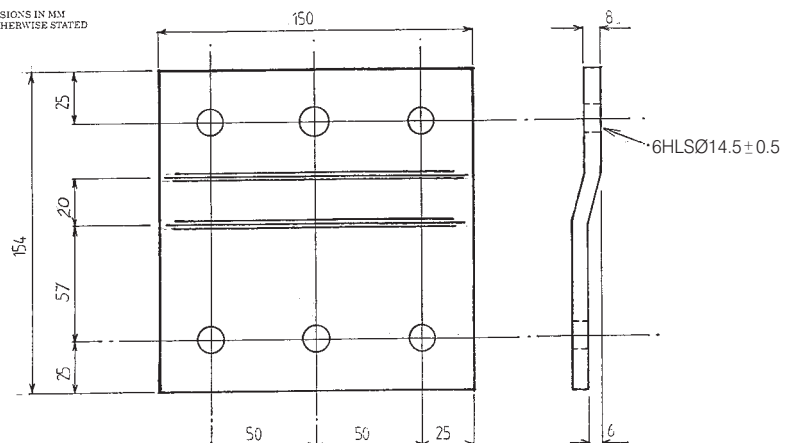
Mercedes Atego/Actross stabilising plate to suit Model No's 1823 - 2628

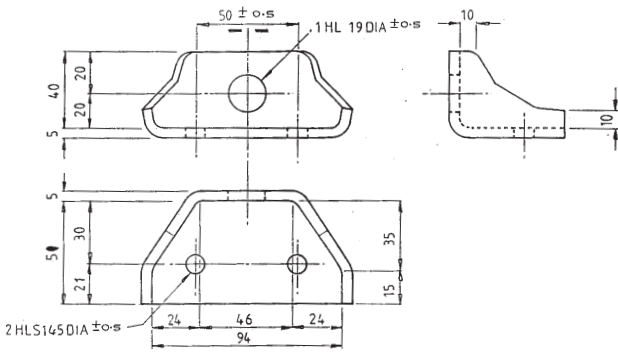
RG156

RG157

Mercedes Atego/Actross chassis plate to suit Model No's 1823 - 2628

MENSIONS IN MM
S OTHERWISE STATED



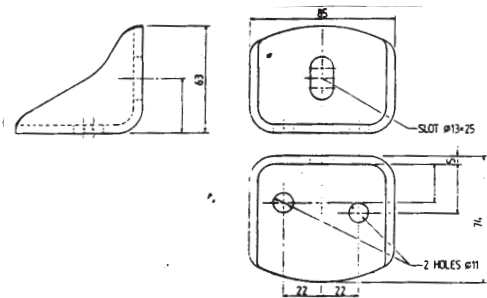
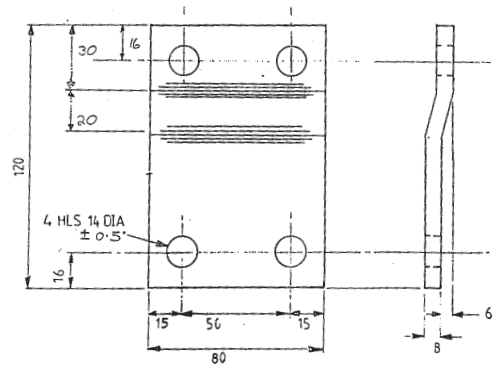


RG158

Mercedes Atego/Actross pressed chassis bracket to suit Model No's 1823 - 2628

RG159

Mercedes Atego chassis plate

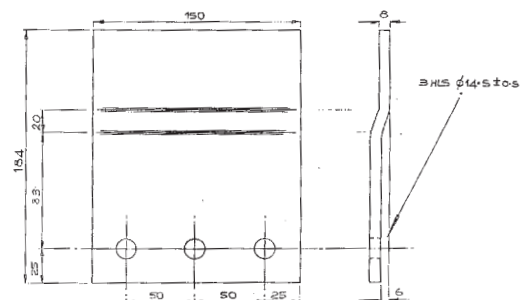


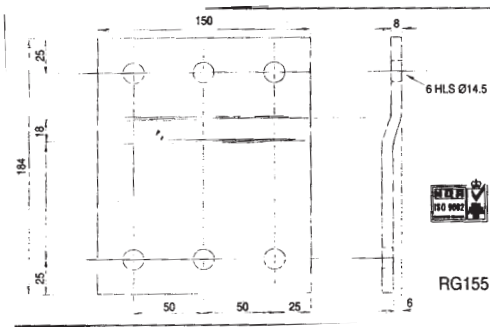
RG113V

Mercedes Atego/Actross pressed upper bracket to suit Model No's 815 - 2628

RG154

Mercedes Atego stabilising plate to suit Model No's 1217 - 1523.



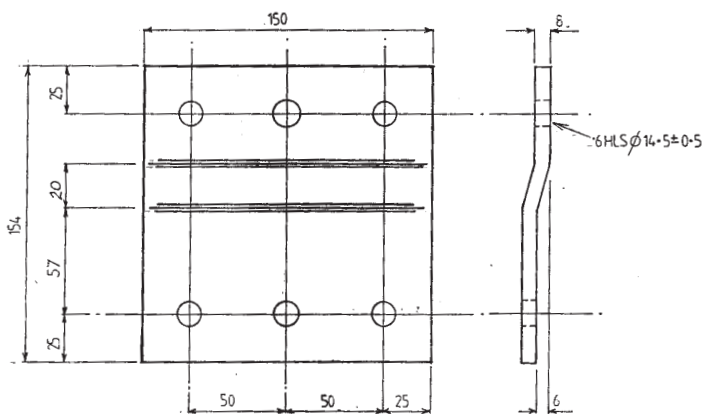
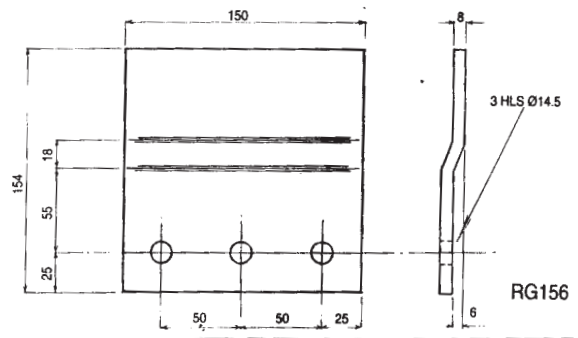


RG155

Mercedes Atego chassis plate
to suit Model No's 1217 - 1523

RG156

Mercedes Atego/Actross
stabilising plate to suit Model No's 1823 - 2628.



RG157

Mercedes Atego/Actross chassis plate
to suit Model No's 1823 - 2628