

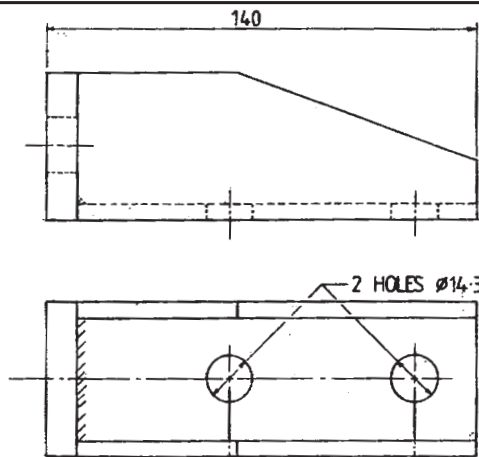
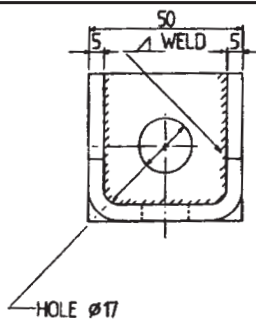
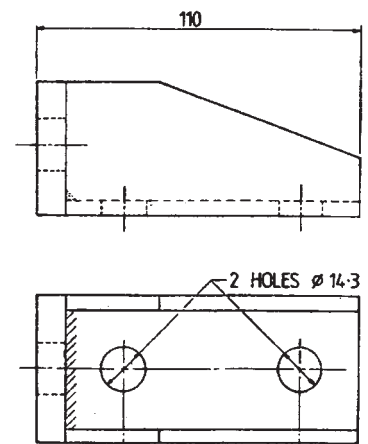
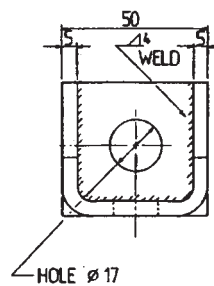
RG126N VOLVO

FM Attachment Plate

RG135 SCANIA

Scania Upper Mounting
Rigid Fixing

Black Painted



RG136 SCANIA

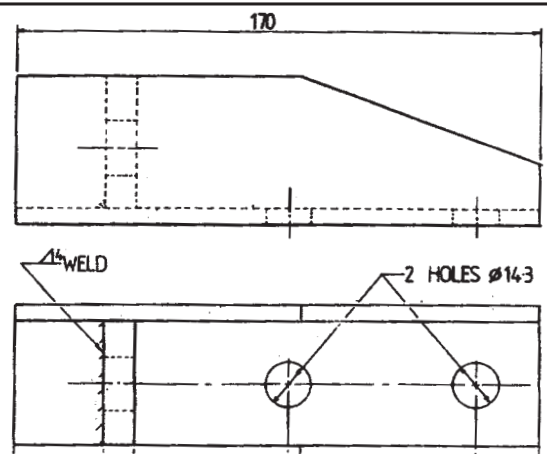
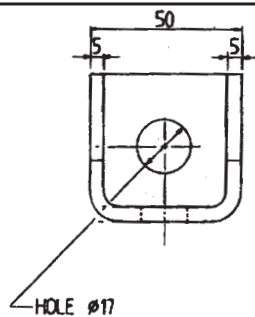
Scania Lower Chassis
Mounting Bracket

Black Painted

RG137 SCANIA

Scania Lower Chassis
Mounting Bracket
Flexible Fixing

Black Painted



RG138 SCANIA

Scania Upper Bracket
Bolt-on-Flexible Fixing

Black Painted

RG139 SCANIA

Scania Chassis
Plate to Suit
Bolt-on-Runner

Black Painted

ALL DIMENSIONS IN MM
UNLESS OTHERWISE STATED

DO NOT SCALE
IF IN DOUBT ASK

RG140 SCANIA

Scania Chassis Plate
to suit weld on runner
series 4

Black Painted

RG141 SCANIA

Scania Upper
Bracket Weld-on
Flexible Fixing

Black Painted