

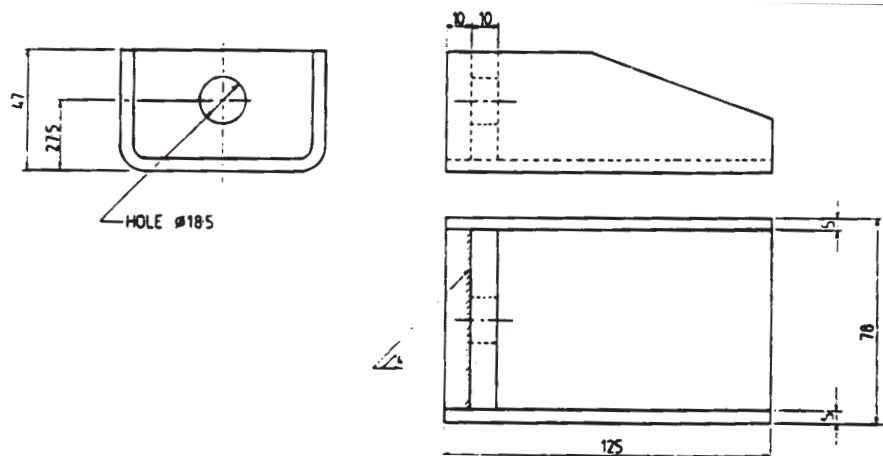
RG126E VOLVO

Upper Body Mounting Bracket for Models FL6, FL7 and FL10. For Flexible Type Bodies on Aluminum Runners. To be used with RG126I Washer.

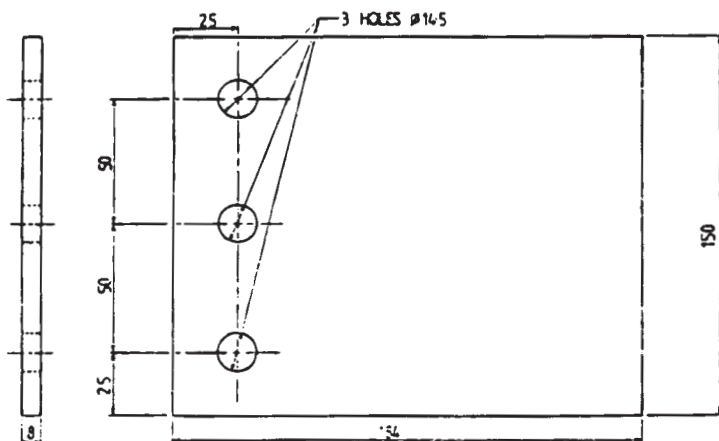
Black Painted

RG126F VOLVO

Upper Body Mounting Bracket for Models FL4, FL6, FL7 and FL10 with flexible Type Bodies, To be used with RG126J Rubber Block and RG126F Washer



Black Painted



RG126G VOLVO

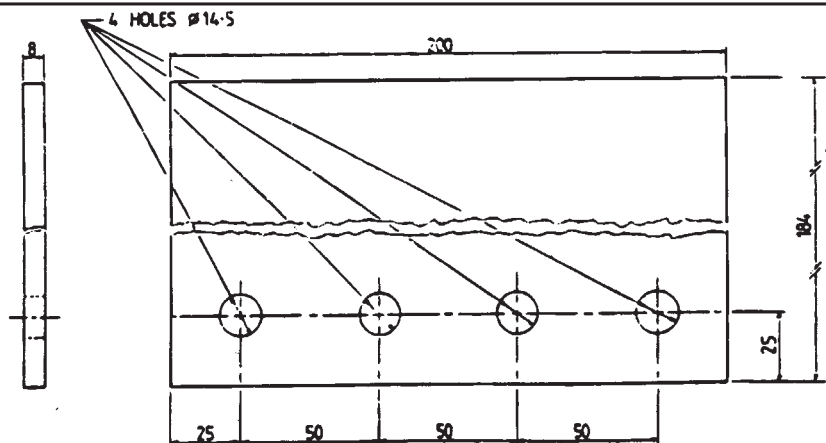
Chassis Attachment Plate for Models FL, FM, FH fitted with Steel Subframes.

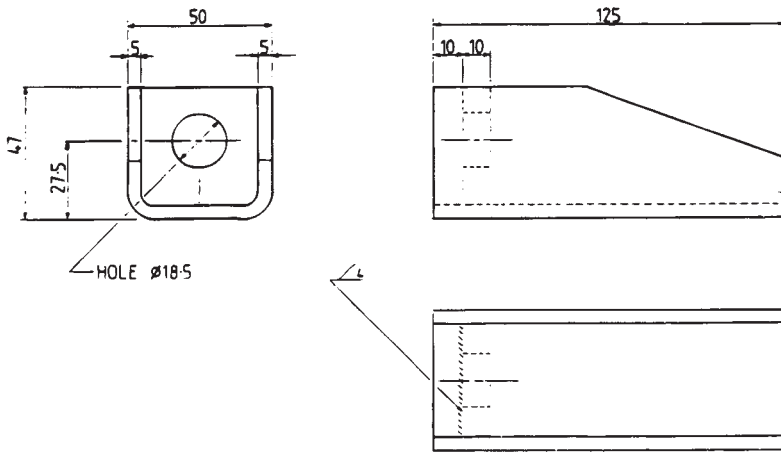
Black Painted

RG126H VOLVO

Chassis Attachment Plate for Models FL7 and FL10 fitted with Steel Subframe

Black Painted





RG126A VOLVO

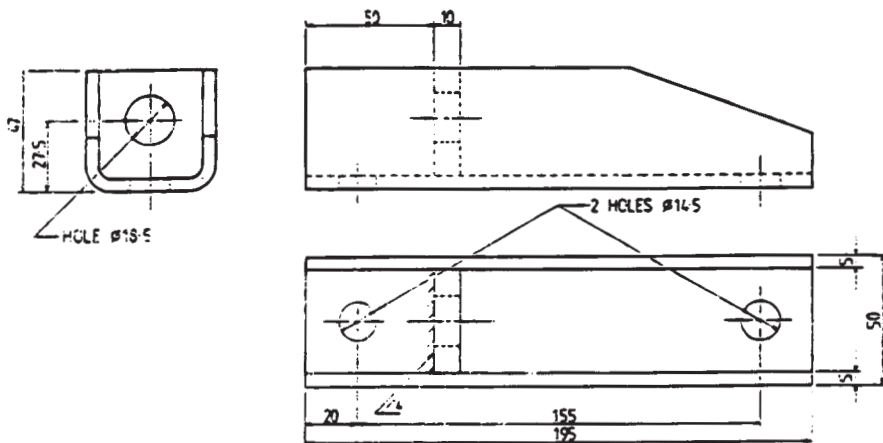
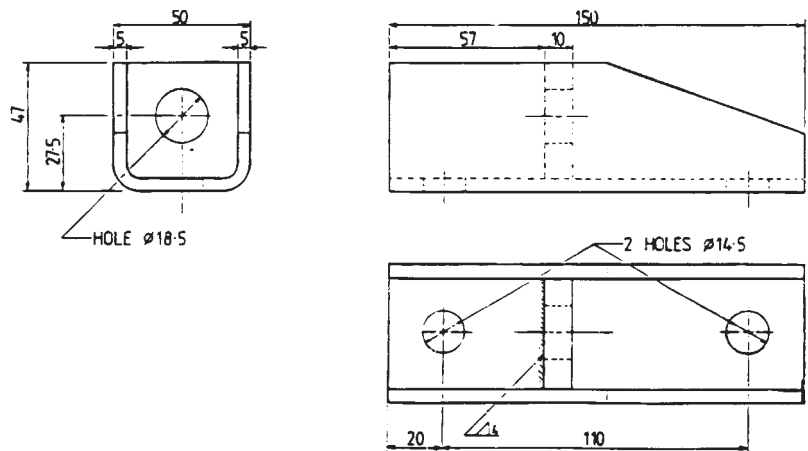
Upper Body Mounting Bracket for Models FL4, FL6, FL7 & FL10.
Using Steel Subframes and rigid bodies.

Black Painted

RG126B VOLVO

Lower Body Mounting Bracket for Models FL4, FL12 and FL614

Black Painted



RG126C VOLVO

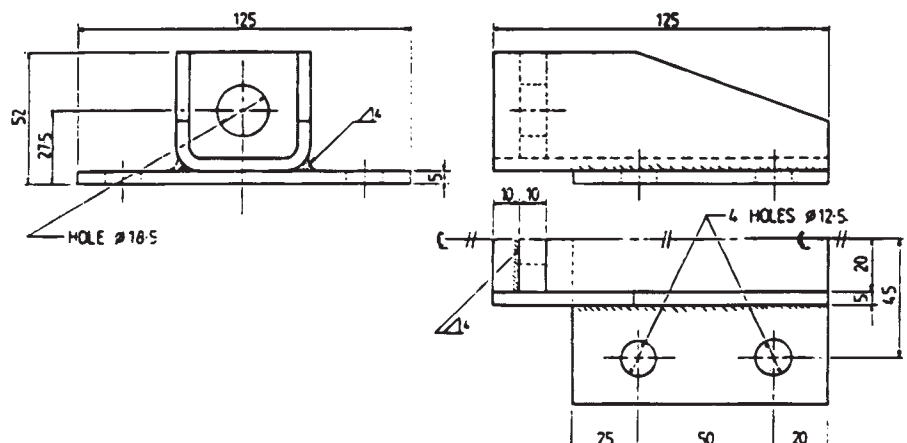
Lower Body Mounting Bracket for Models FL16, FL7 and FL10

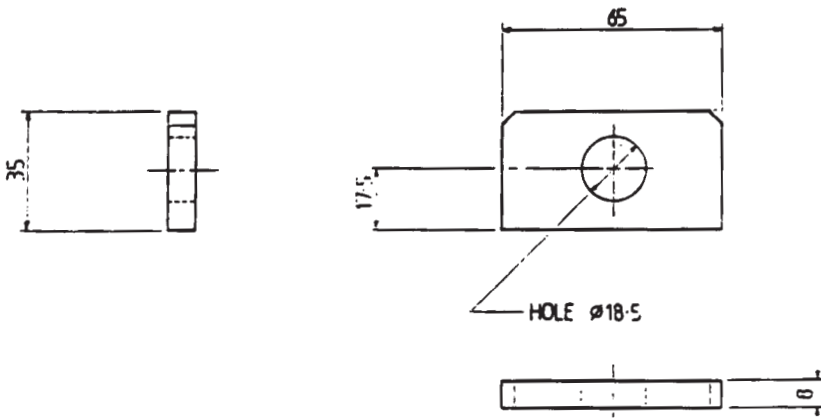
Black Painted

RG126D VOLVO

Upper Body Mounting Bracket for use on Aluminium Runners Rigid Body Types

Black Painted





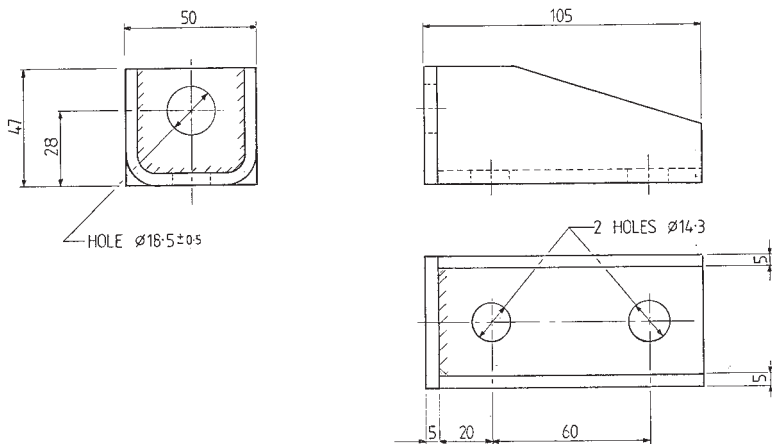
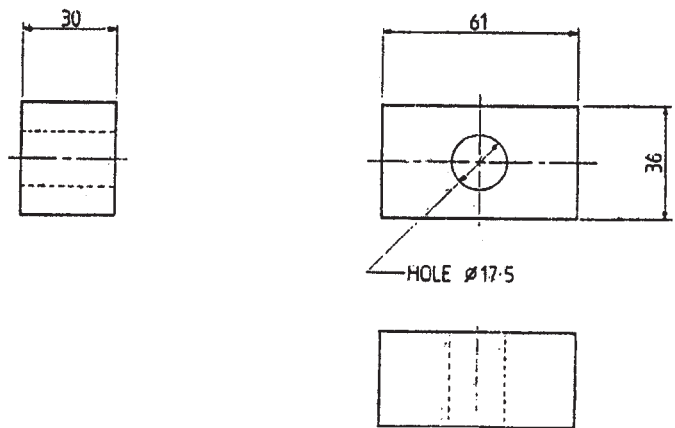
RG126I VOLVO

Washer to be used with Brackets RG126F, RG126E and Rubber Block RG126J

Black Painted

RG126J VOLVO

Rubber Block to be Used With Brackets RG126F and RG126E

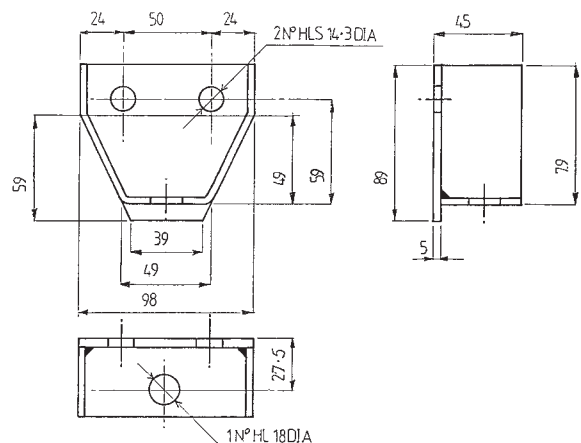


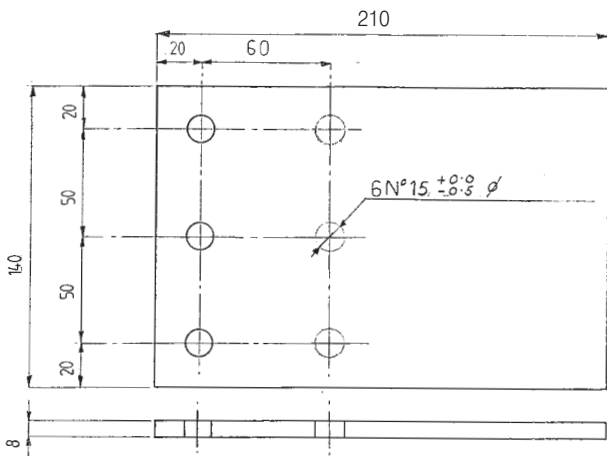
RG126K VOLVO

Volvo FL616 - FL626, FH12, FH16, FM Lower Chassis Bracket Pivoted or Flexible Mounting

RG126M VOLVO

FM upper bracket





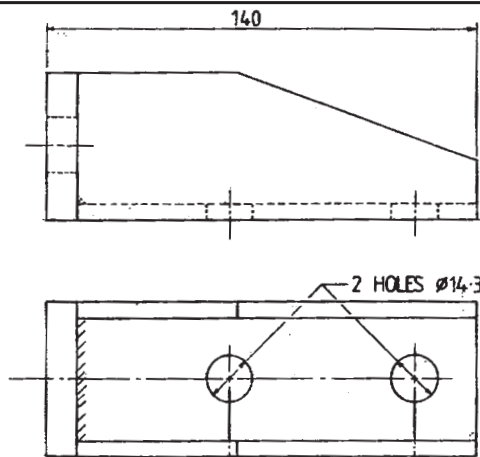
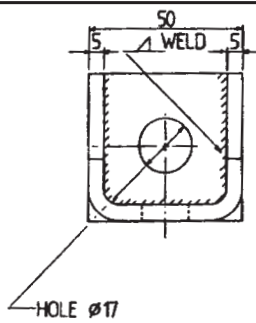
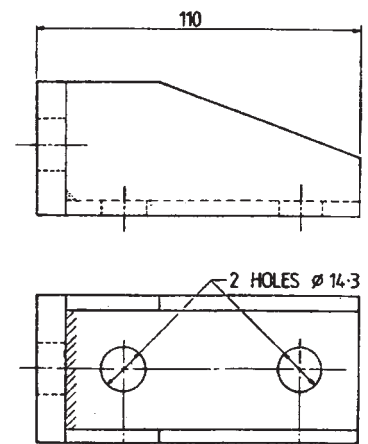
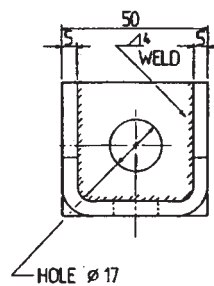
RG126N VOLVO

FM Attachment Plate

RG135 SCANIA

Scania Upper Mounting
Rigid Fixing

Black Painted



RG136 SCANIA

Scania Lower Chassis
Mounting Bracket

Black Painted

RG137 SCANIA

Scania Lower Chassis
Mounting Bracket
Flexible Fixing

Black Painted

