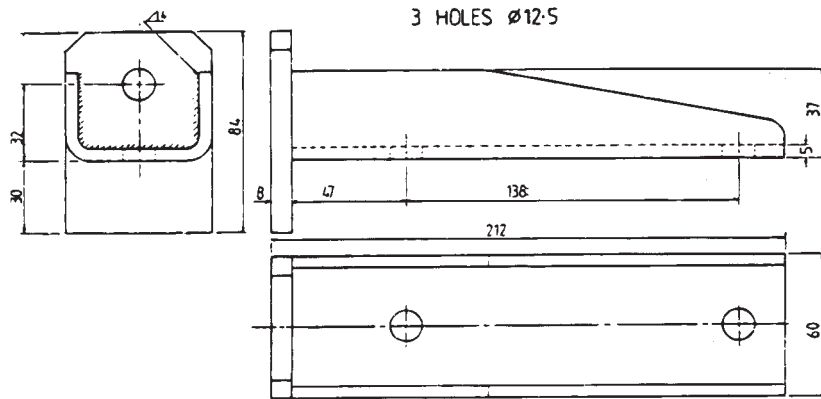
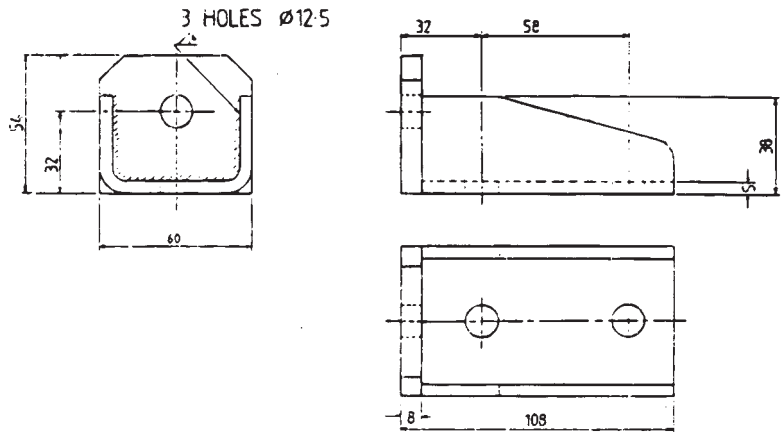


RG113D

Fabricated Pedestal
Mounting Bracket to
suit Suit 5" (125mm)
Runners when fitted to
the Iveco/Cargo

Black Painted



RG113E

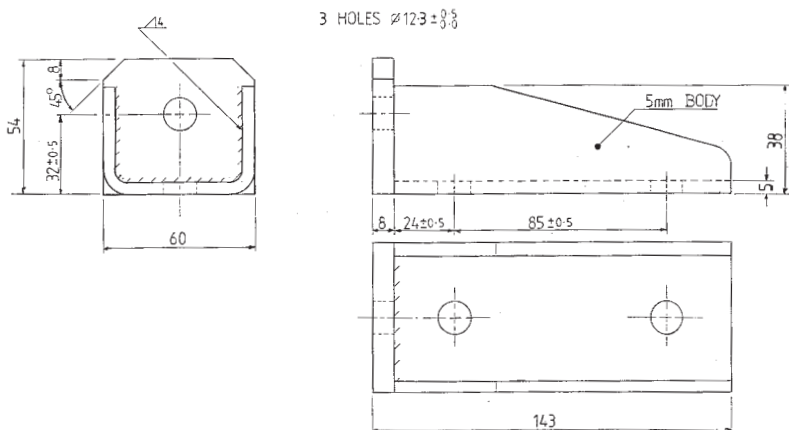
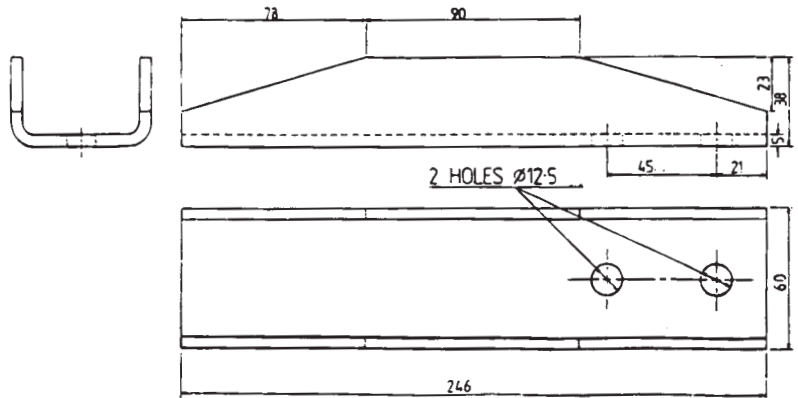
Pressed heavy Duty
General Purpose
Chassis To Runner
Bracket

Black Painted

RG113F

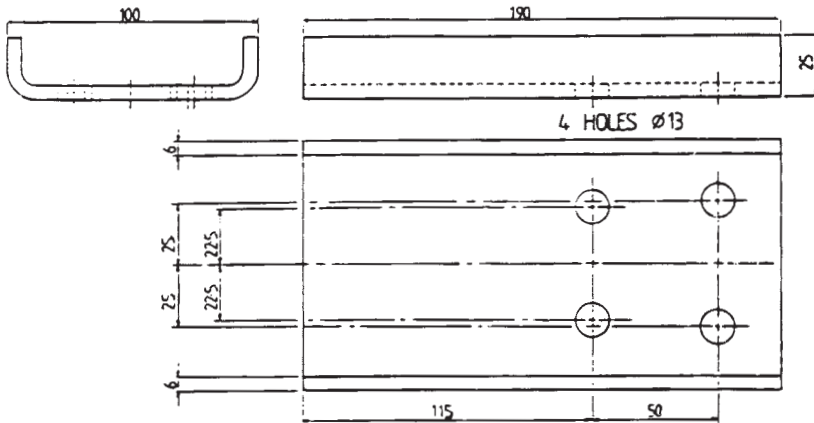
Pressed Heavy Duty
General Purpose
Chassis to Runner
bracket

Black Painted



RG113L

General Purpose
Fabricated Chassis Bracket
To suit 150mm Runner



RG113P

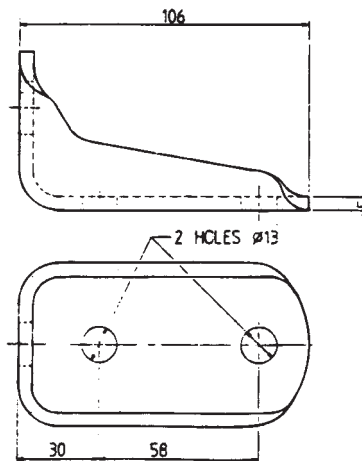
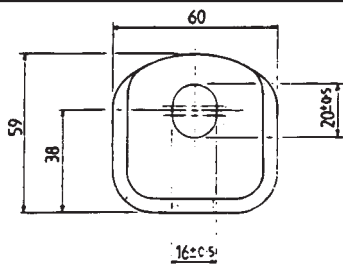
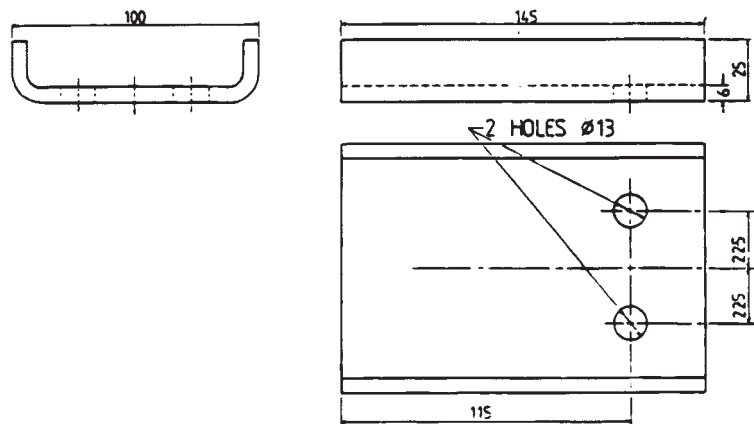
Pressed Chassis
Bracket to suit
Iveco/Ford Cargo

Black Painted

RG113Q

Pressed Chassis
Bracket to suit
Iveco/Cargo

Painted Black



RG113R

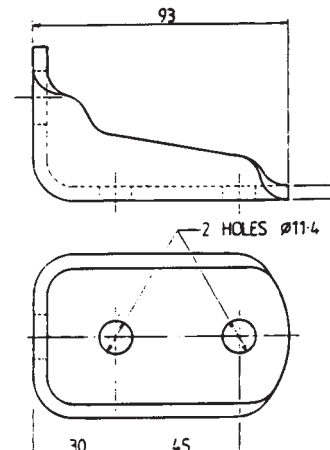
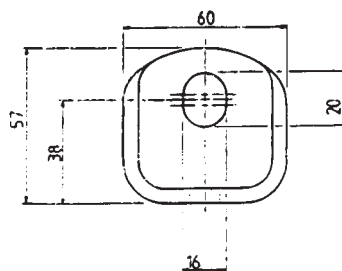
One Piece Pedestal
Mounting Bracket
to suit 5" (125mm)
Runners and over

Black painted

RG113S

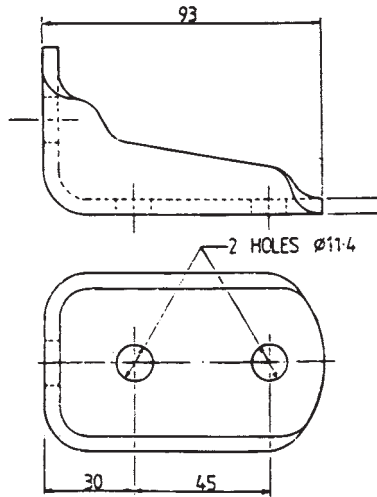
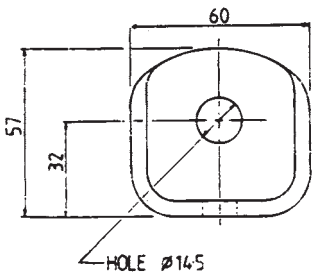
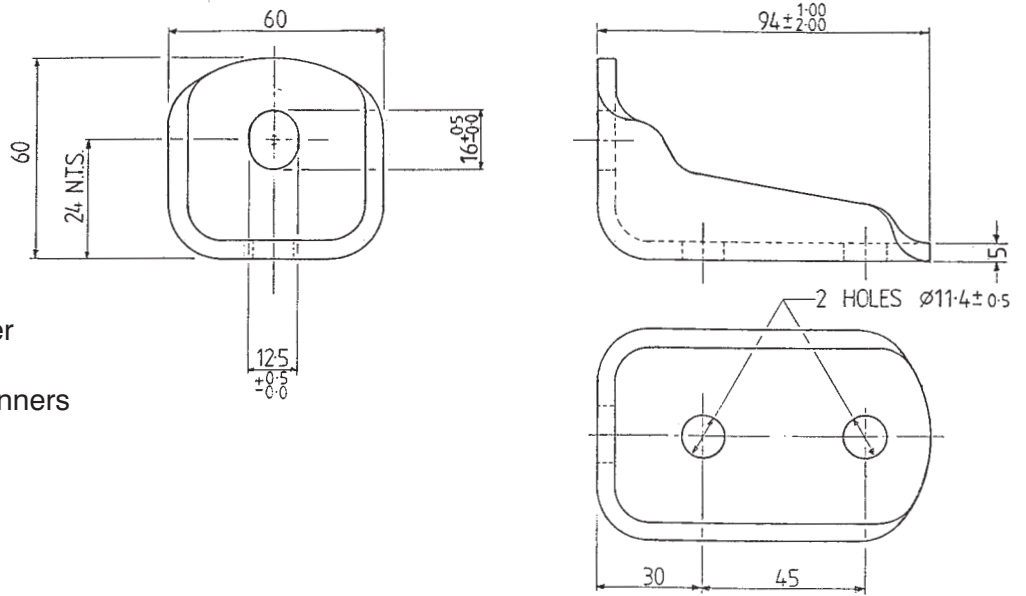
One Piece Pedestal
Mounting Bracket to
suit 4" (100mm)
Runners when fitted to a
Ford Cargo

Black painted



RG113T

General Purpose Runner
Bracket to suit 100mm,
125mm and 150mm Runners



RG113U

One Piece Pedestal
Mounting Bracket to
Suit 4" (100mm)
Runners when fitted to
Ford Cargo Models
60E - 100E

Black Painted

RG129

Balata packing
Fits Between
Top and Bottom
Chassis Brackets

