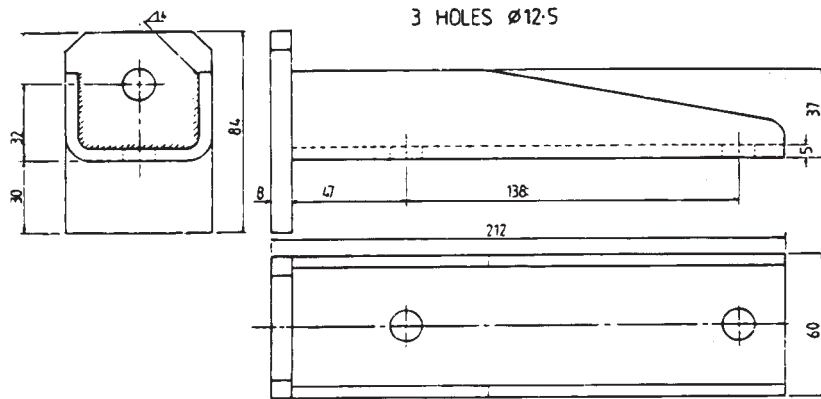
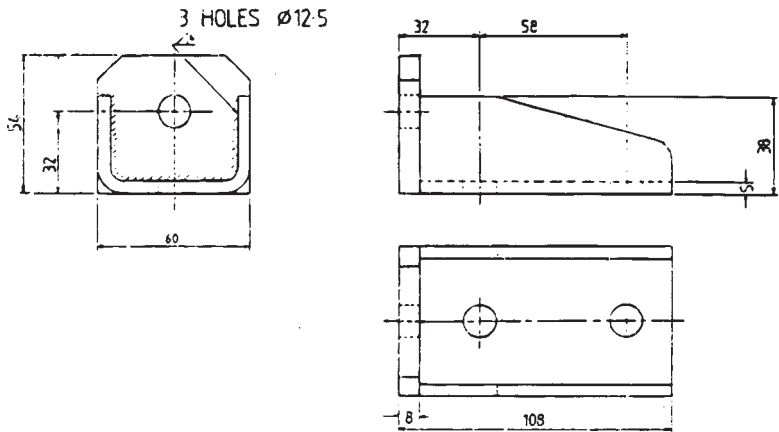




### **RG113D**

Fabricated Pedestal  
Mounting Bracket to  
suit Suit 5" (125mm)  
Runners when fitted to  
the Iveco/Cargo

Black Painted



### **RG113E**

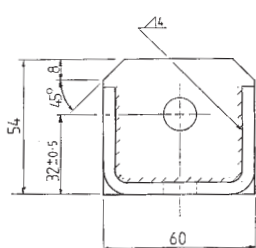
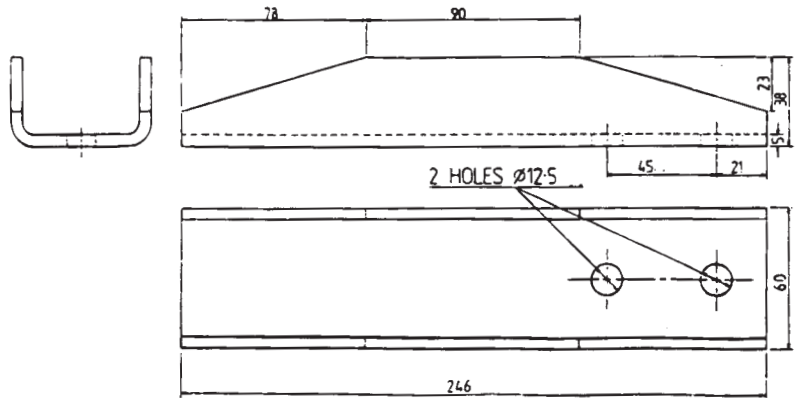
Pressed heavy Duty  
General Purpose  
Chassis To Runner  
Bracket

Black Painted

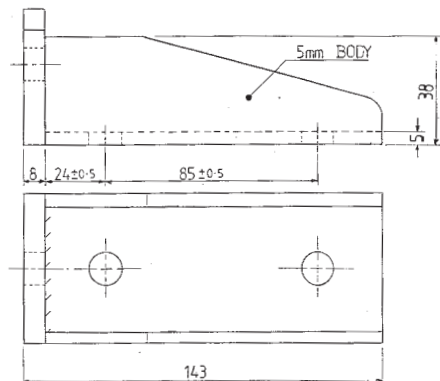
### **RG113F**

Pressed Heavy Duty  
General Purpose  
Chassis to Runner  
bracket

Black Painted

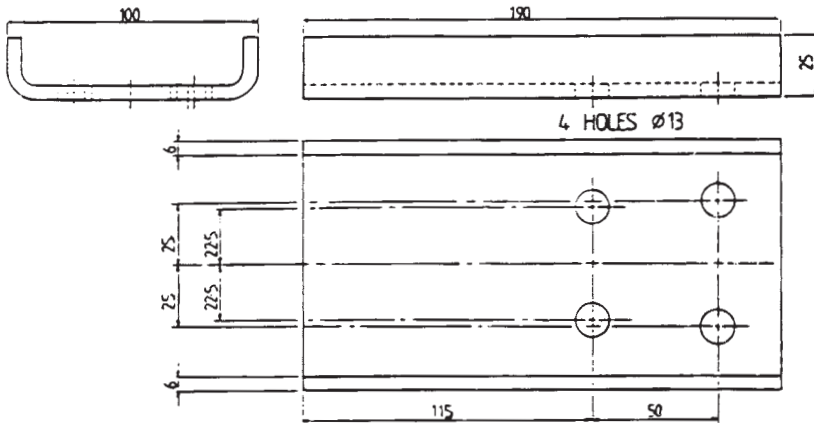


3 HOLES  $\varnothing 12.3 \pm 0.3$



### **RG113L**

General Purpose  
Fabricated Chassis Bracket  
To suit 150mm Runner



**RG113P**

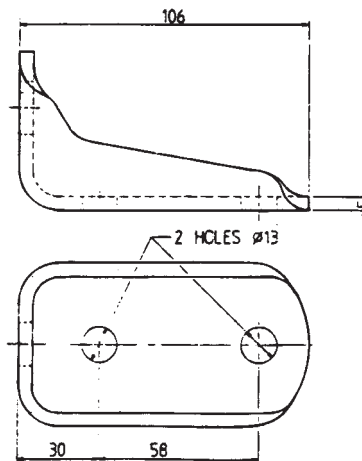
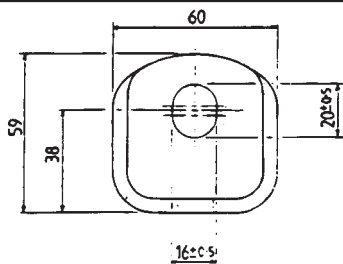
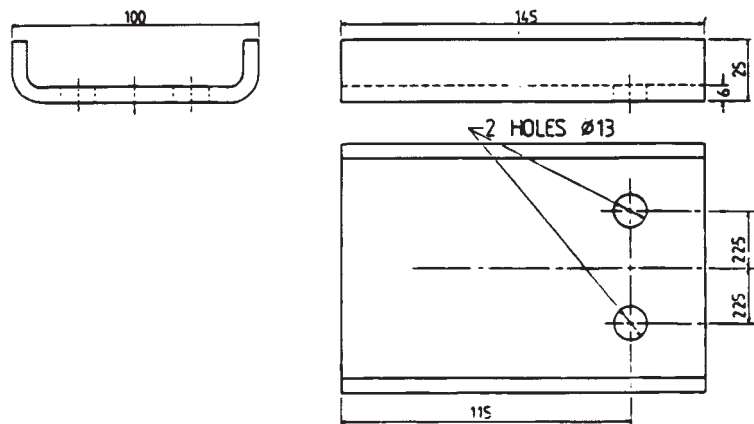
Pressed Chassis  
Bracket to suit  
Iveco/Ford Cargo

Black Painted

**RG113Q**

Pressed Chassis  
Bracket to suit  
Iveco/Cargo

Painted Black



**RG113R**

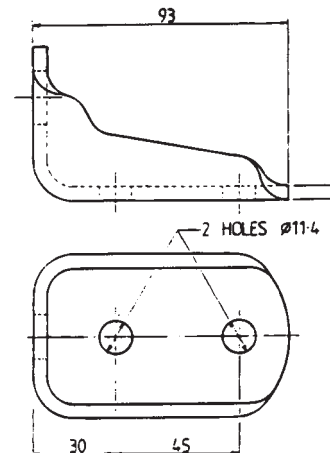
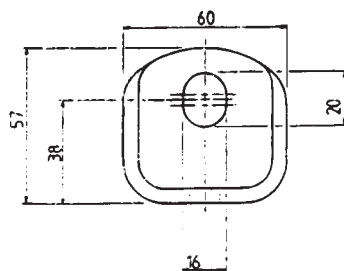
One Piece Pedestal  
Mounting Bracket  
to suit 5" (125mm)  
Runners and over

Black painted

**RG113S**

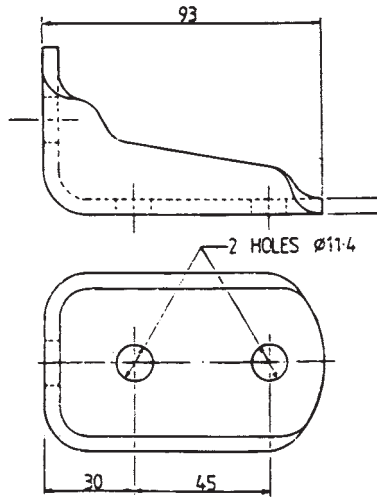
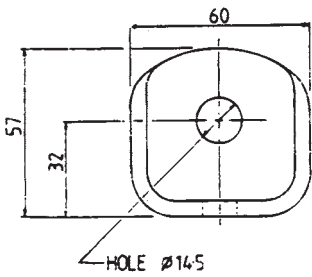
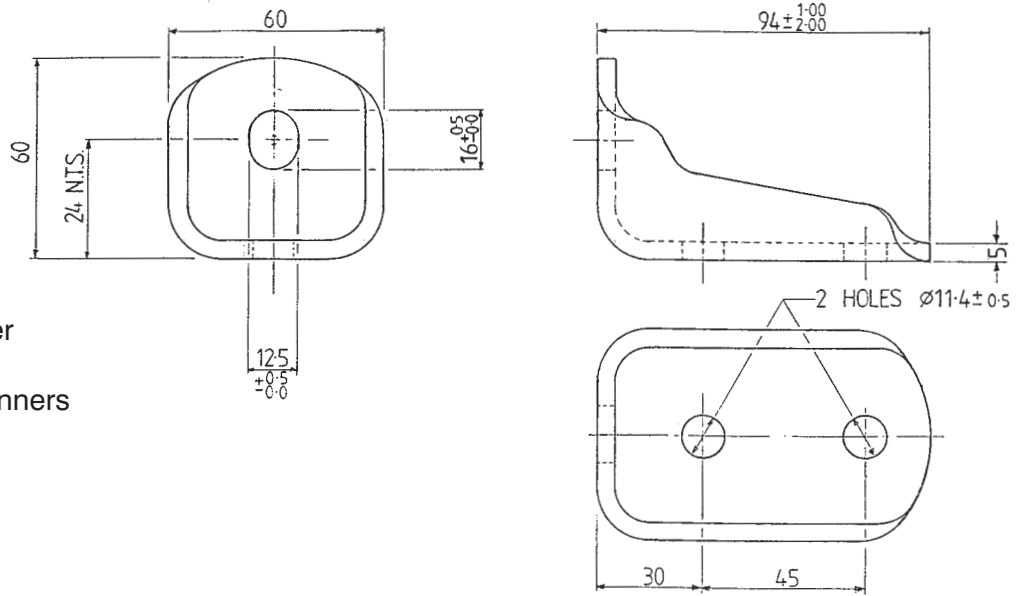
One Piece Pedestal  
Mounting Bracket to  
suit 4" (100mm)  
Runners when fitted to a  
Ford Cargo

Black painted



**RG113T**

General Purpose Runner  
Bracket to suit 100mm,  
125mm and 150mm Runners



**RG113U**

One Piece Pedestal  
Mounting Bracket to  
Suit 4" (100mm)  
Runners when fitted to  
Ford Cargo Models  
60E - 100E

Black Painted

**RG129**

Balata packing  
Fits Between  
Top and Bottom  
Chassis Brackets

