



Support Stays 7/03099, 7/25621, etc.



These sliding stays are a convenient and inexpensive way of supporting all doors and lids. Lengths of channels, brackets and fittings can be varied to suit special applications.

7/03099

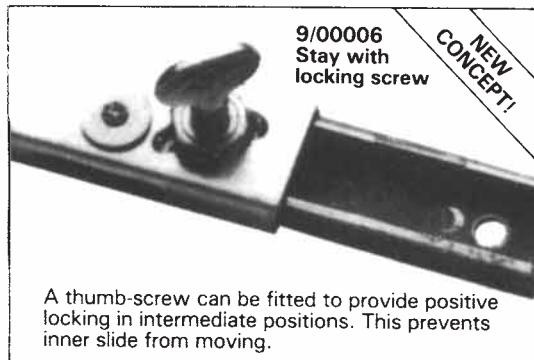
A basic but extremely popular design with "draw" of 216mm, approx, and one mounting bracket which can swivel freely. The stay locks in the extended position, and a further slight extension then frees the mechanism and allows the unit to be closed. (7/3098 has identical brackets at each end). Length between fixing centres is 266mm (closed), 485mm (open) — not including bracket. (9/00557 is identical, without bracket).

7/25621

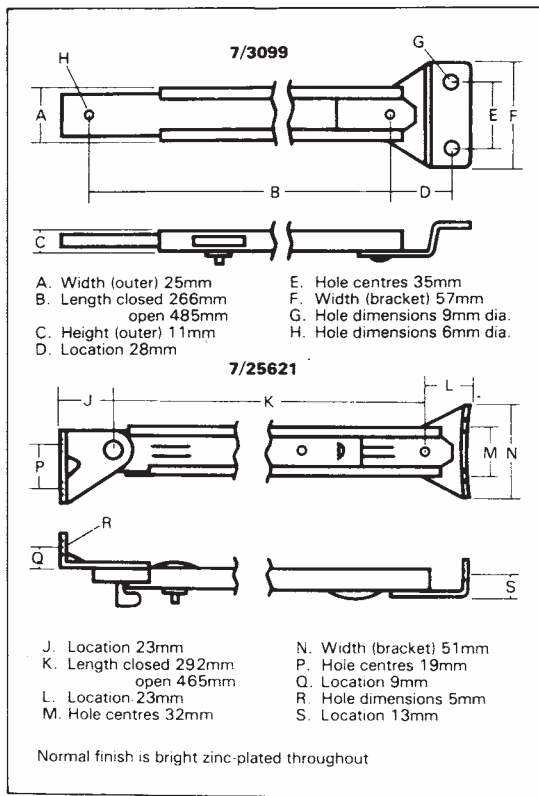
This stay incorporates a safety catch: to operate, the stay is extended slightly and the catch released by hand. There are brackets at each end, pivoting freely, and these are individually shaped. Length between fixing centres is 292mm (closed), 465mm (open)—not including brackets.

Options available

- ★ Variable length to 736mm, maximum.
- ★ Choice of 8 fixing brackets.
- ★ Adjustable safety catch (inc. 2-stop versions).
- ★ Powder-coated finish for "visible" applications.



A thumb-screw can be fitted to provide positive locking in intermediate positions. This prevents inner slide from moving.



Ordering Code

Part number	Description
7/03099	Support stay — basic model
7/03098	As 7/3099, twin brackets
7/25621	Support stay, c/w safety catch
9/00006	Support stay — locking screw
9/00557	Support stay — no brackets