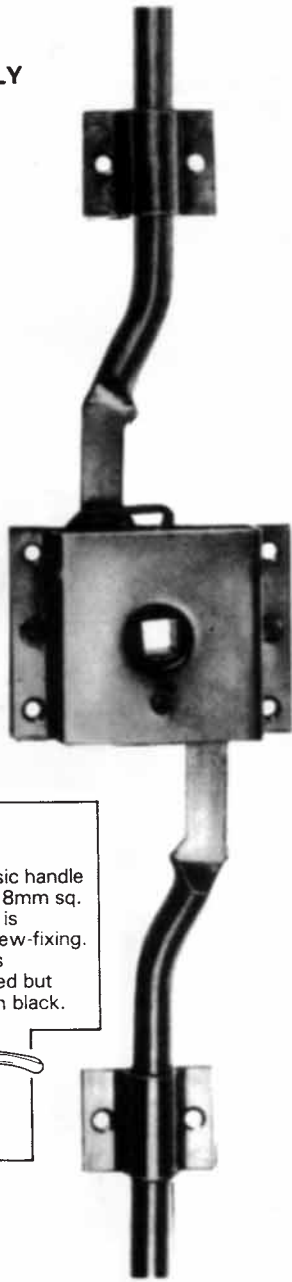


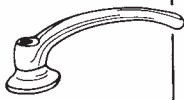
RIGHT-SIDE LATCH IN FULLY EXTENDED POSITION

Right-side assembly 3/18794 illustrated (as viewed from *inside* vehicle or cabinet)



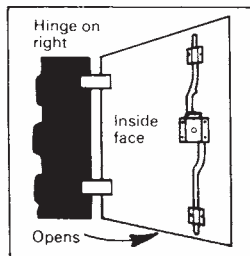
Inside handle 1/11930

A useful, basic handle which accepts 8mm sq. steel shaft and is retained by screw-fixing. Normal finish is chromium-plated but also available in black.



Note on 'handing'

Sketch shows right side latch in position on interior of door which is *ringed on its right-hand edge* (when viewed from outside). Latches operate identically except for direction of rotation of follow-bush.



2-way rod latches

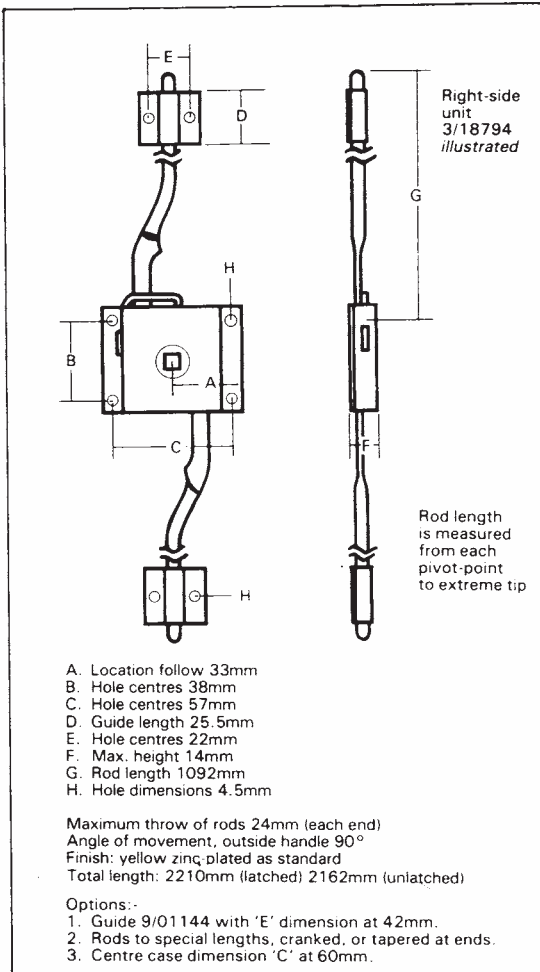
Simple in action, this 'dead-bolt' system provides 2-point latching for both vehicle and industrial applications. Latches are 'handed' as illustrated.

Principle is for 9.5mm diameter rods to move against a strong spring. The rods are pivoted to allow 'play' in both positions.

Latches are supplied complete with guides, with standard 1092mm rods which are usually cut to required length by the customer. Longer lengths can be supplied to special request.

Simplified unit

A special version can be supplied with rods and centre-piece only (no case or spring). Request 9/01177.



Ordering Code

Part number	Description
3/18794	2-way rod latch (right-side) complete
3/18795	2-way rod latch (left-side) complete
3/18899	Guide, 2-way rod latch
9/01177	Rods and centre piece only