

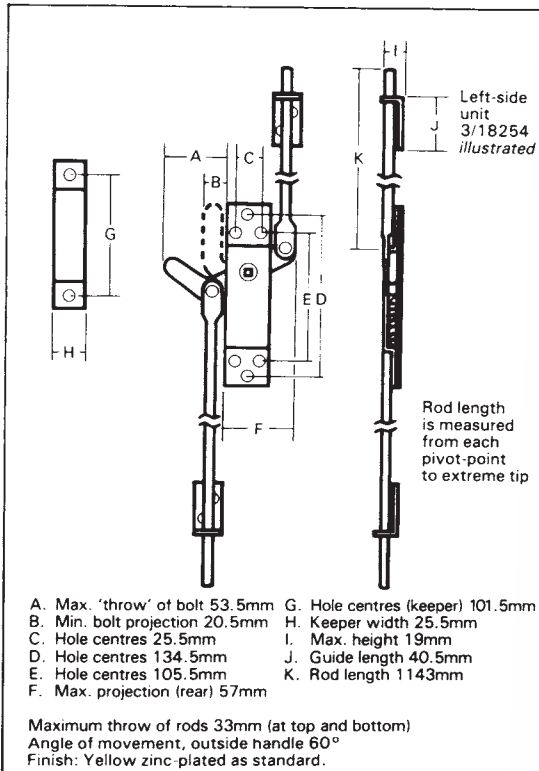
3-way rod latches

This well-proven 'dead-bolt' rod system is equally suitable for vehicle or industrial use. With 9.5mm diameter solid rods and heavy-gauge fabricated steel construction, it will withstand rough treatment and provides full 3-point security.

Latches are supplied complete with guides and keeper, and standard 1143mm rods which can be cut to length by the customer. Note that the system is 'handed', LH or RH as illustrated.

Dimensions given will assist in application: note that latches are 'handed', and that keeper must be placed slightly above line of centre-mechanism.

Special versions are available, with rods made to particular lengths, cranked or tapered. Centre bolt can be removed to provide a 2-way system if desired.



Ordering Code

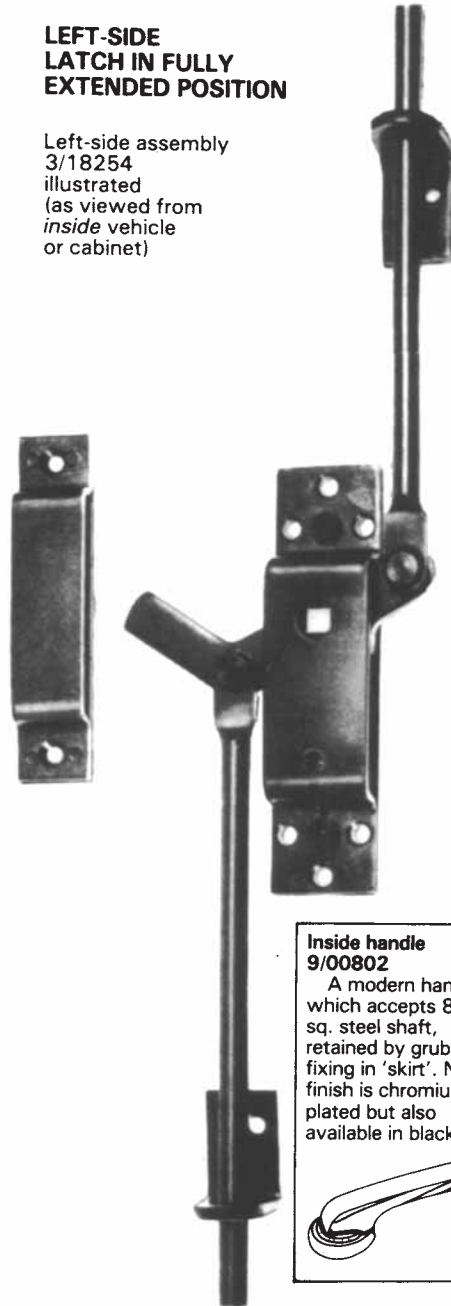
Part number	Description
3/18238	3-way rod latch complete (RH)
3/18254	3-way rod latch complete (LH)

Component parts:

3/18716	Guide, 3-way rod latch
3/18722	Keeper, 3-way rod latch
3/17245	Centre mechanism only (left-side)
3/17246	Centre mechanism only (right-side)

LEFT-SIDE LATCH IN FULLY EXTENDED POSITION

Left-side assembly 3/18254 illustrated (as viewed from inside vehicle or cabinet)



Inside handle 9/00802

A modern handle which accepts 8mm sq. steel shaft, retained by grub-screw fixing in 'skirt'. Normal finish is chromium plated but also available in black.



Note on 'handing'

Sketch shows left-side latch in position on interior of door which is hinged on its left-hand edge (when viewed from outside). Follow bush must always be mounted at top of latch.

