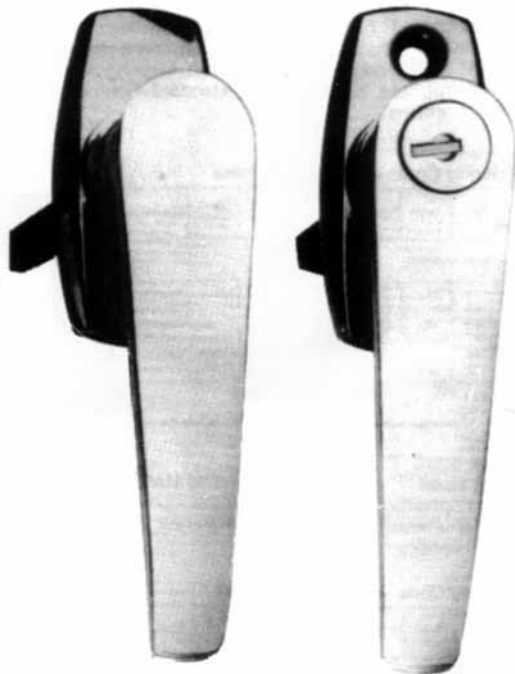
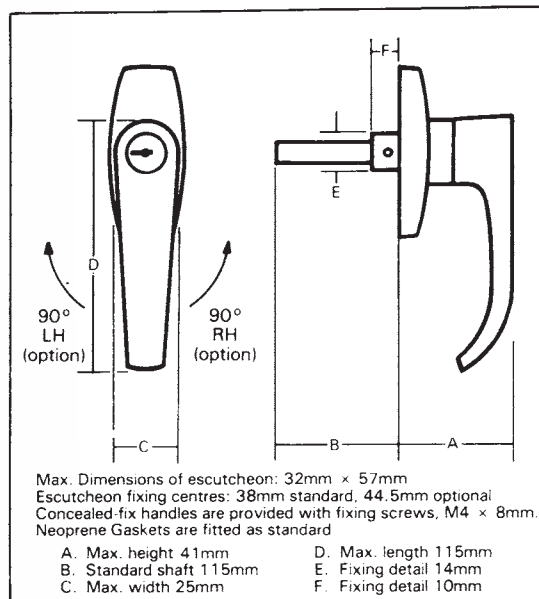


'Lever L' Handles



9/00172 etc.
(Concealed fixing)

9/00167 etc.
(Open fixing)



These elegant diecast handles are intended as a simple versatile method for securing industrial cabinets and enclosures.

Many variants on the basic design are possible, and common options are shown. However, the standard handle has 38mm open fixing, with 180° rotation and 'FS' keys.

The standard handle is fitted with shuttered lock cylinder to prevent ingress of dust/water.

'SQUARE-FACE' LOCKS



'Economy' specification

All details are the same as for 'round-face' locks, but with a square-face body for a more modern appearance. Locks can be installed without dismantling. 'FS' or '92' key series.

ROUND-FACE LOCKS



'Economy' specification

Basic lock as illustrated, with threaded body and secured with slot-screw. Latch bar turns through 90° or 180°: 'FS' or '92' series keys. These locks can be installed **without dismantling**.

Our cranked latch bar is fitted as standard but there is a wide range of alternatives. See also the various special options available. Chromium-plated finish is standard. Note – that with 90° locks, keys can only be withdrawn in the 'locked' position.