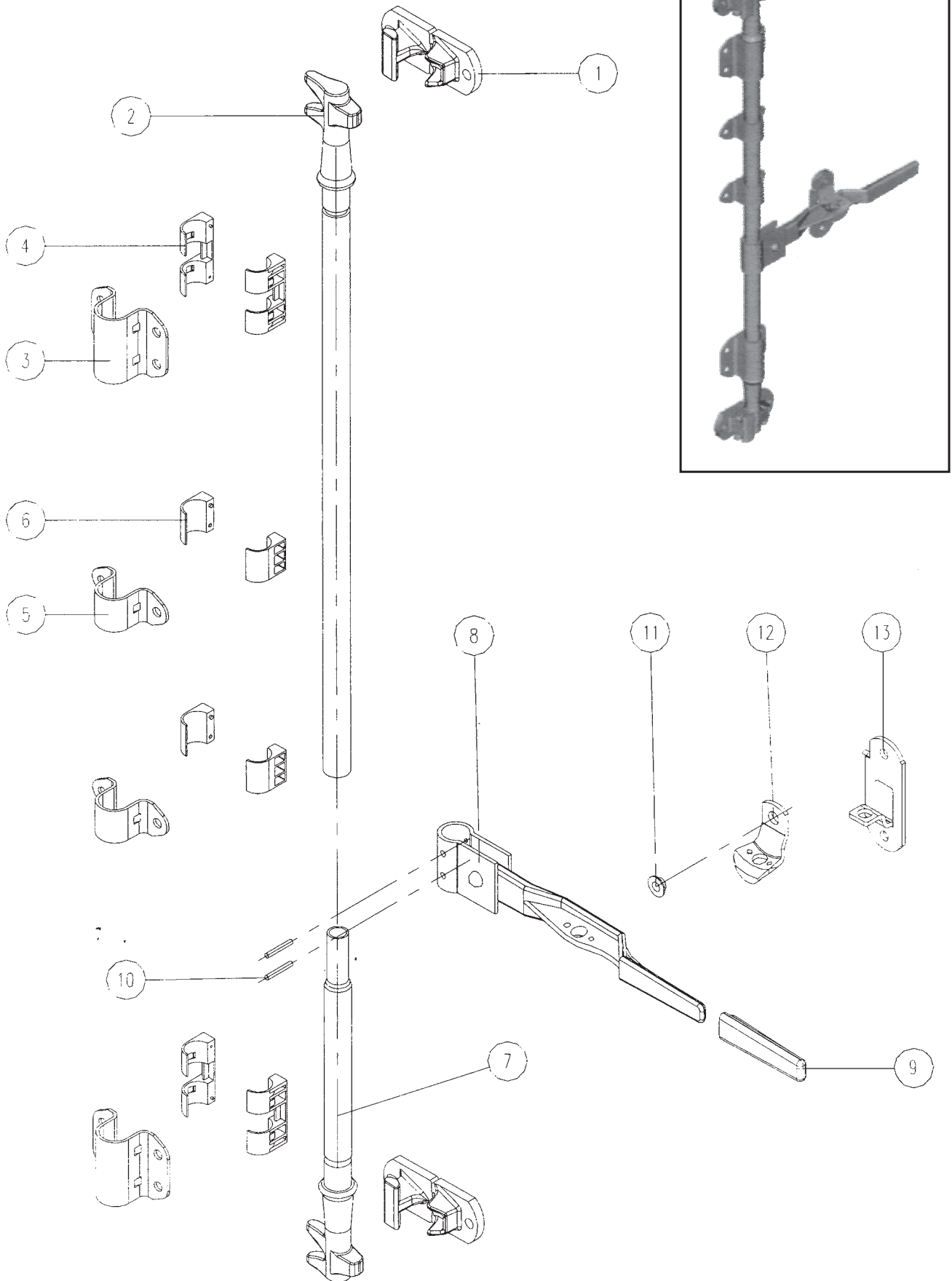


Model No - B2000MNV





Model No - B2000MNV

Ø27 Bushed Mechanism

Item	Part No	Description	Weight	Qty
1	22788/1	Keeper (Bolt-on)	650g	2
2	BCP 13953	Upper Rod Assy	6435g	1
3	BCP 14063	Bearing Bracket (Outer Large)	250g	2
4	BCP 14271	Bush	25g	2
5	BCP 14064	Bearing Bracket (Outer Small)	120g	2
6	BCP 14065	Bush	14g	2
7	BCP 14091	Lower Rod Assy	1290g	1
8	BCP 13954	Handle And Hub Assy	1200g	1
9	BCP 14081	Sleeve	20g	1
10	BCP 13955	Flared Pin *	4g	4
11	22185	Bush	6g	1
12	BCP 13856	Catch	95g	1
13	BCP 14033	Retainer	200g	1

Commodity code - 830249 90 0

- Cam centres dimension controlled by customer by simply reducing length of upper rod assembly. (Max cam centres = 3430)
- Upper rod assembly supplied with 3m length tube
- Lower rod assembly spigotted for easy assembly and alignment with upper rod assembly
- Handle and hub assembly to be fixed in position by cross-drilling and pinning

* Recommended hole size = Ø6.13 max / Ø5.95 min