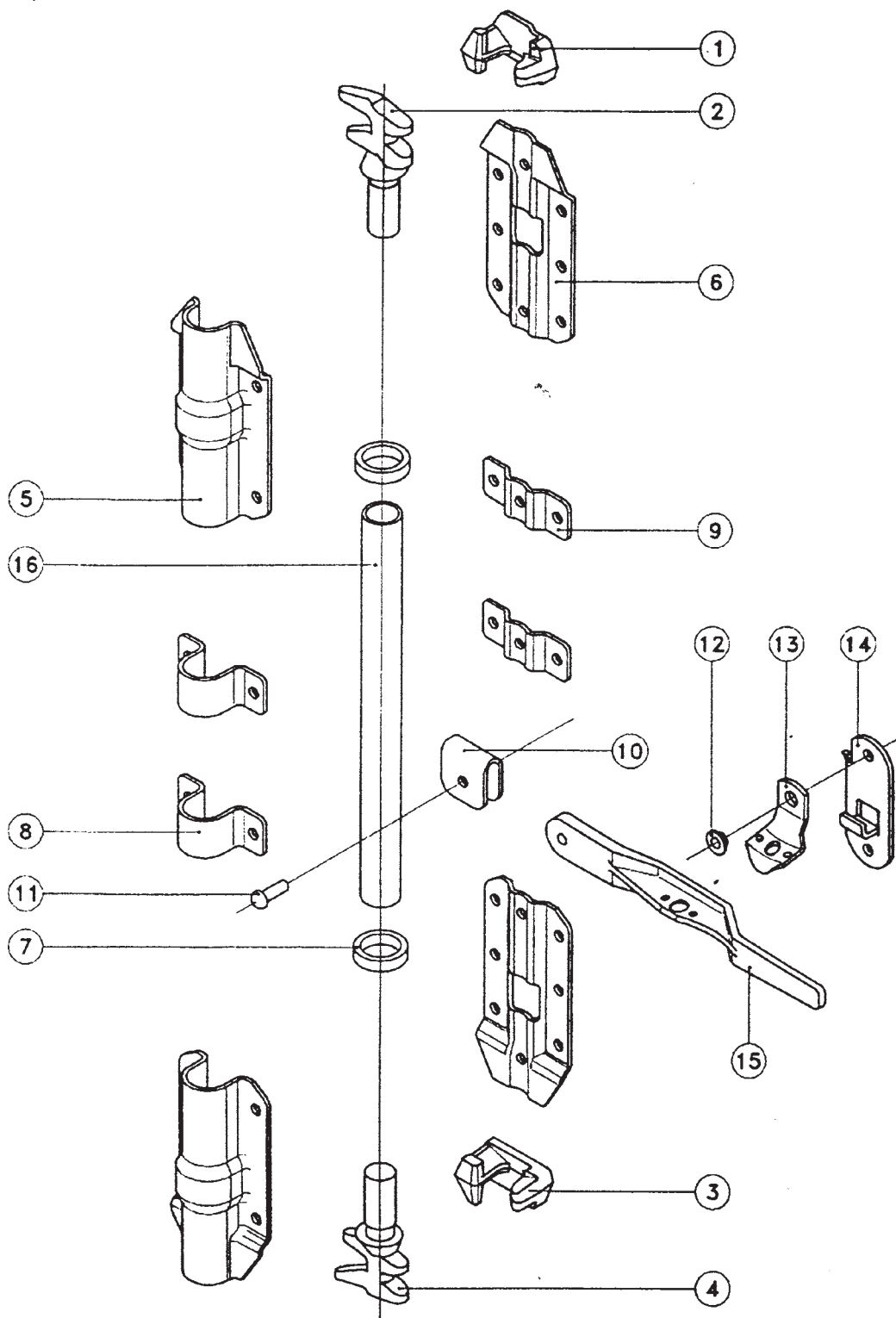


Model No. B2500A





HEAVY DUTY BOLT - ON BRACKETS

MODEL No. - B2500A

Ø34 UNBUSHED MECHANISM

ITEM	PART No.	DESCRIPTION	WEIGHT	QTY.
1	BCP 10153	KEEPER L.H.	390g	1
2	BCP 10081	CAM L.H.	630g	1
3	BCP 10152	KEEPER R.H.	390g	1
4	BCP 10080	CAM R.H.	630g	1
5	23153	BEARING BRACKET OUTER LARGE	890g	2
6	BCP 11748	BEARING BRACKET INNER LARGE	560g	2
7	BCP 11945	ANTI RACK RING	64g	2
8	22245	BEARING BRACKET OUTER SMALL	180g	2
9	22246	BEARING BRACKET INNER SMALL	110g	2
10	22084	HANDLE HUB	189g	1
11	BCP 10038/1	RIVET	25g	1
12	22185	BUSH	6g	1
13	BCP 13856	CATCH	95g	1
14	BCP 13855	RETAINER	220g	1
15	22182	HANDLE	820g	1
16	BCP 12338	TUBE Ø34 x 3.2	2410g/m	1