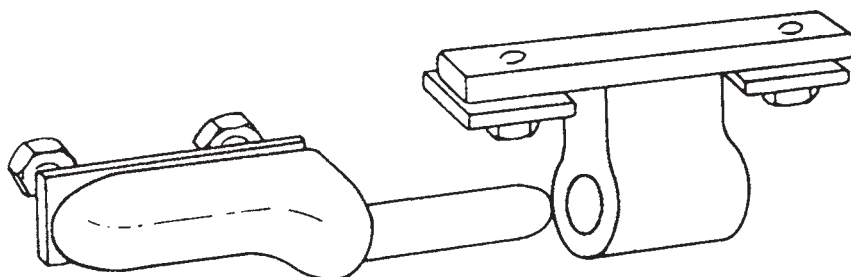


HM301

Steel Hinge
for 1/2" die pin



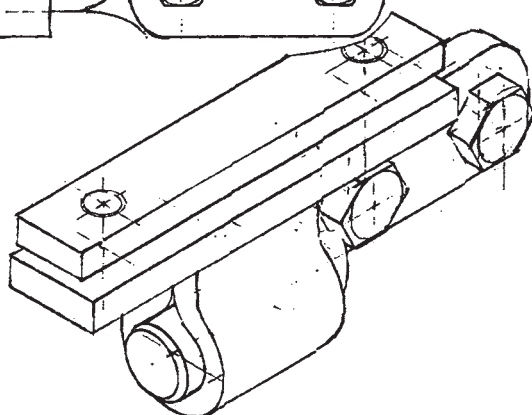
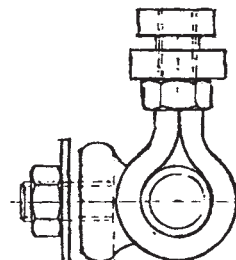
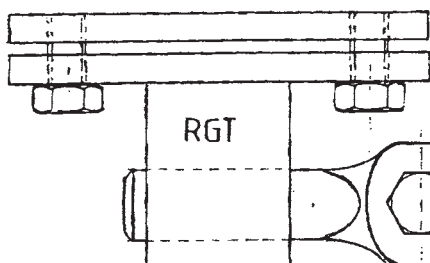
RG209

Steel Hinge pin

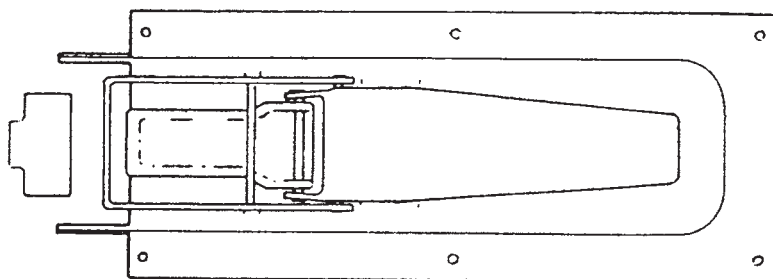
Supplied complete with screws and plates

RG300

Steel Hinge

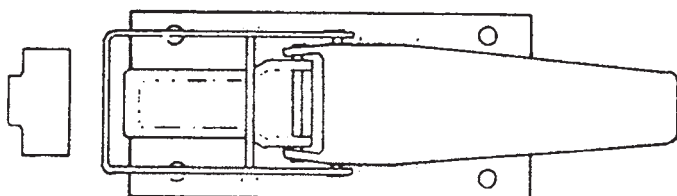


RG 300LW



694B

Overcentre catch
for flush plank



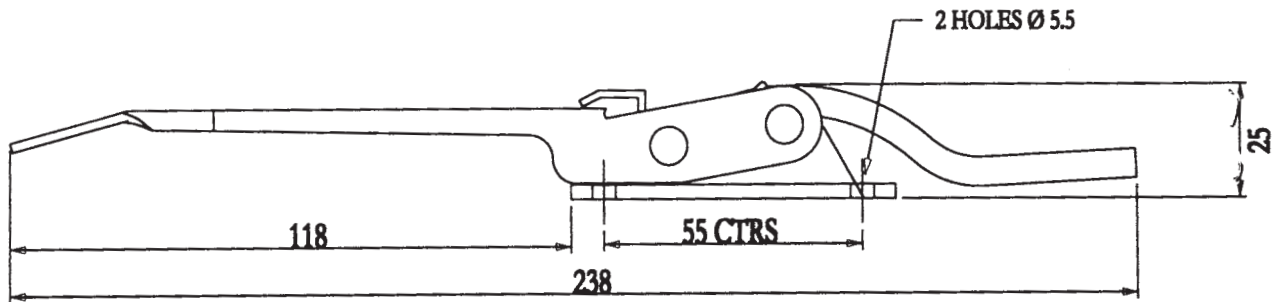
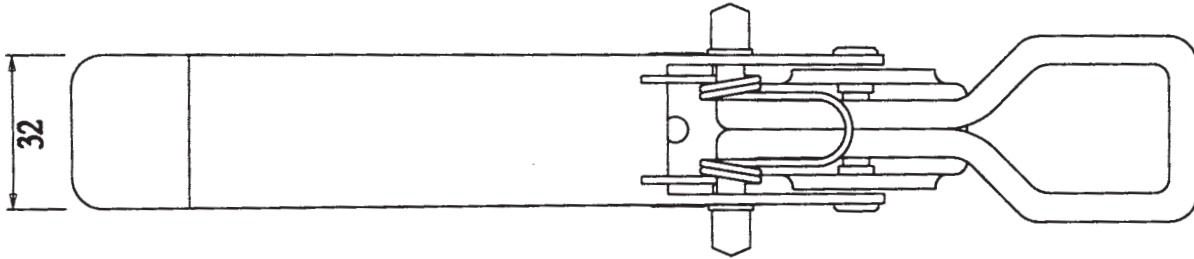
646S

Overcentre catch
for recessed plank

Dropside Locks

206300206

660 series with long handle
Zinc & gold plated (660L)



206300306

660 series with short handle
Zinc & gold plated (660S)

