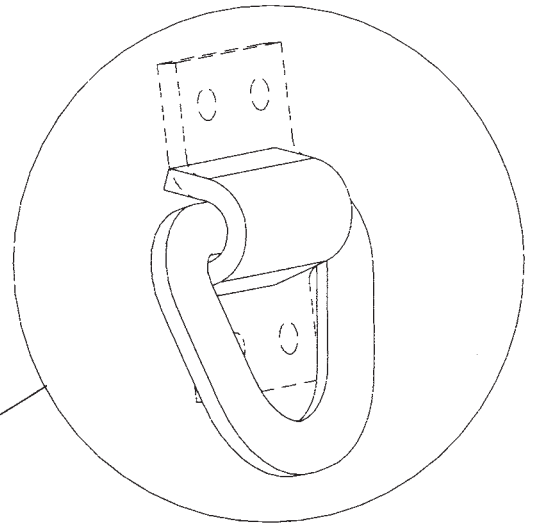
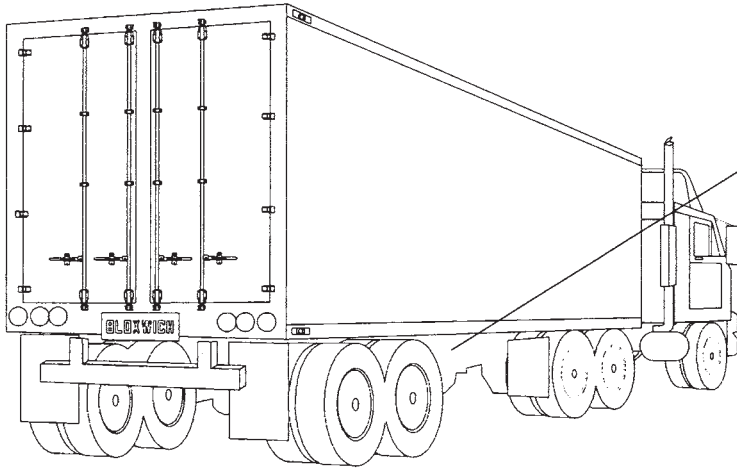


Ferry Lashing Ring and Cleat

- BCP 14153 Ring - (Wt = 2.06kg)
- BCP 14154 Cleat - Weld-on - (Wt = 0.94kg)
- BCP 14243 Cleat - Bolt-on - (Wt = 1.85kg)

Commodity code - 830249 90 0



- Provides chassis anchorage points for deck lashings.
- Forged steel ring.
- Finish: self colour, zinc plated or galvanised.
- Conforms to - EN29367 (ISO9367) 'lashing and securing' arrangements on road vehicles for sea transportation on Ro/Ro ships.

