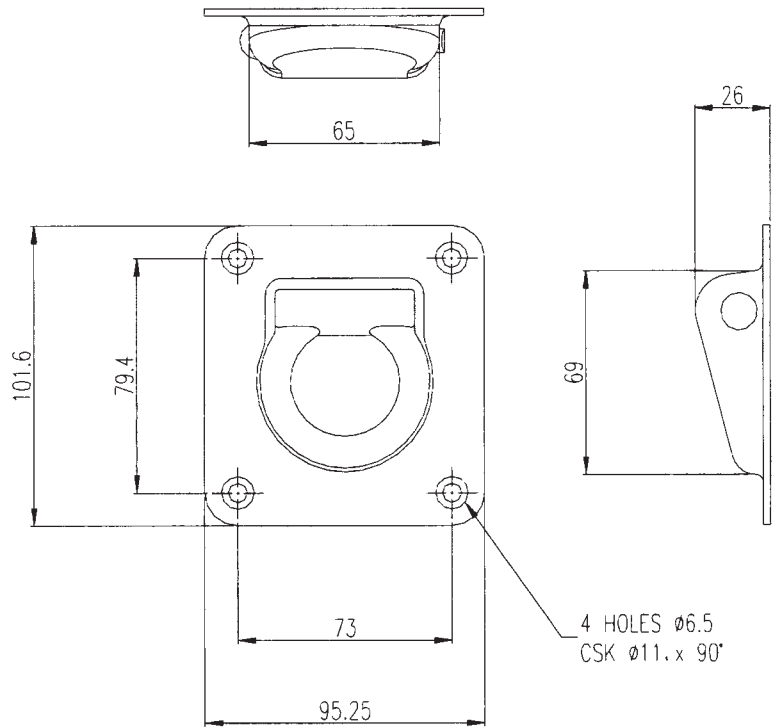
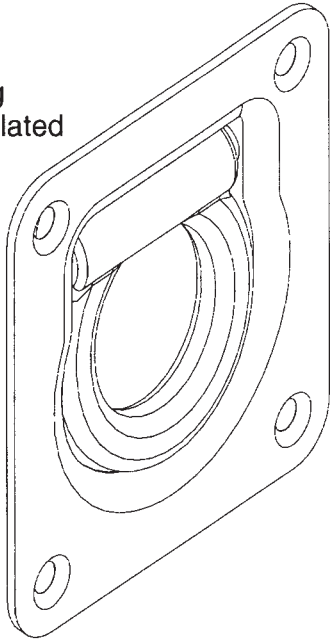


Lashing Rings

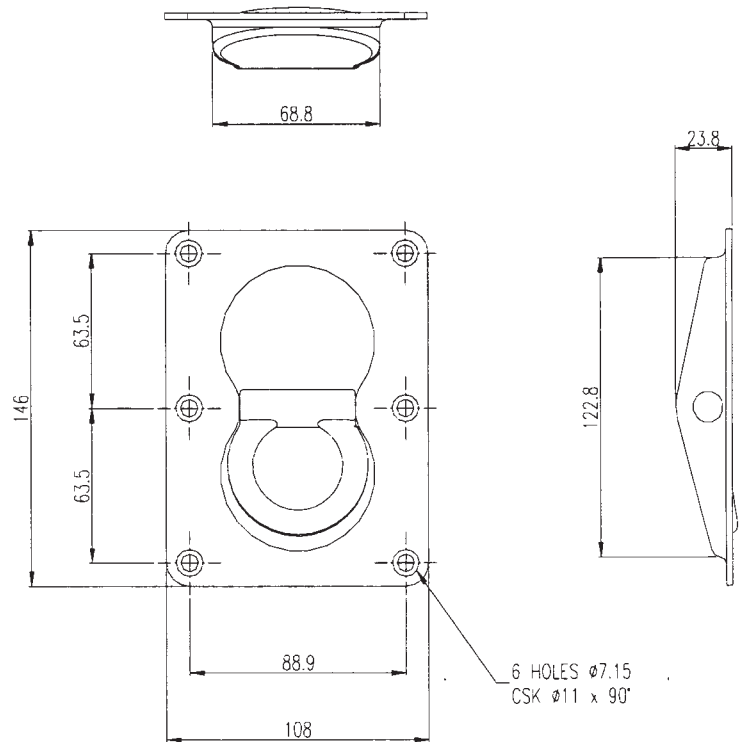
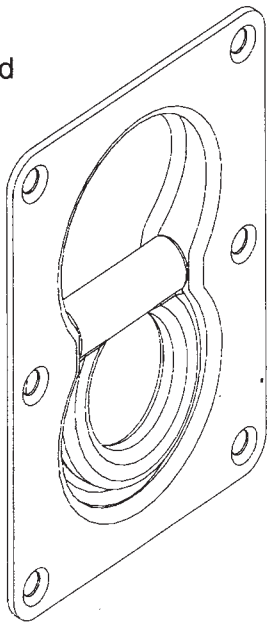
CAT 310 (LR34)
 CAT 310/1 - with spring

SWL - 500kg
 Weight - 352g
 Finish - zinc plated



CAT 330

SWL - 1000kg
 Weight - 506g
 Finish - Galvanised



Note:

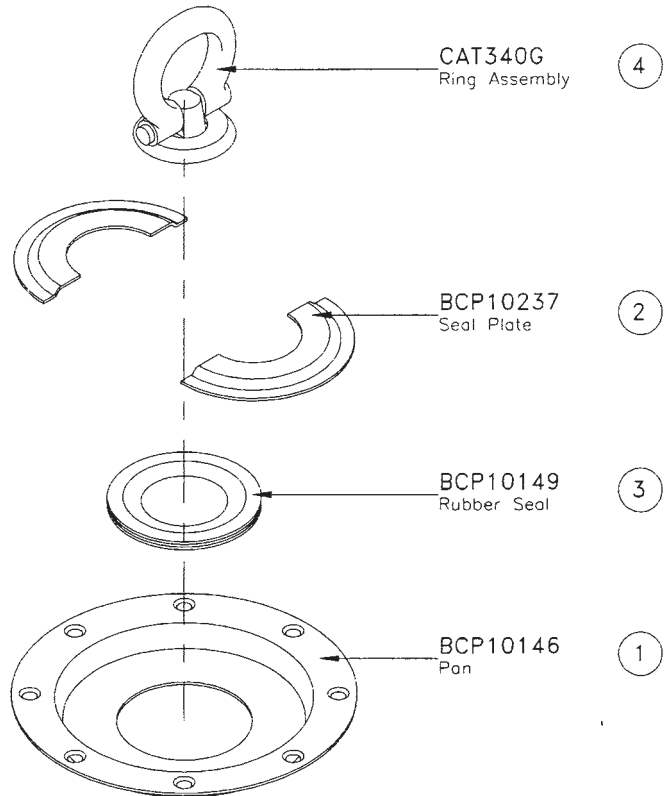
The above loads relate only to the capability of the loop assembly itself. The load bearing capabilities of the fixings to the vehicle must be established by the body builder.

Pivotal Lashing Rings

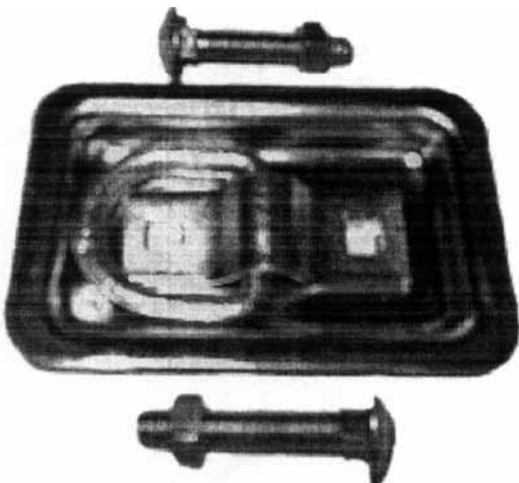
CAT 340/1G

- Universally jointed to withstand loads enforced in any direction.
- Forged steel ring.
- Finish: galvanised.
- Ring assembly can be supplied without seal plates, rubber seal and pan if required.
- Capacity - 2.0 tonnes SWL

Total weight - 831g

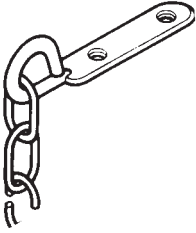
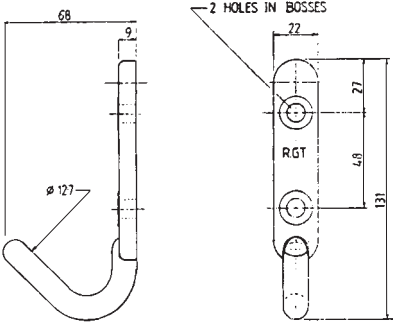
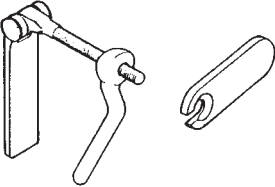

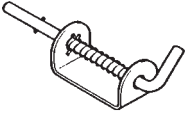

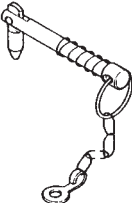
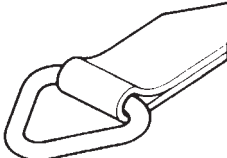
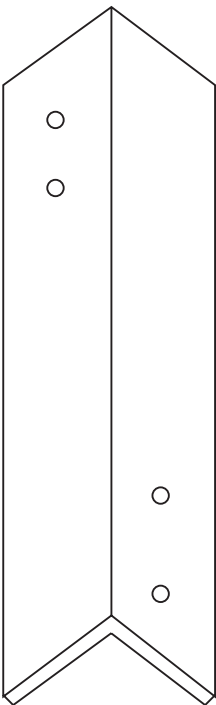
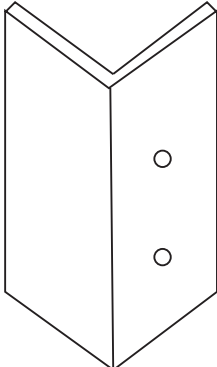


ROPES HOOKS / ROPE RINGS



RG208

***Recessed Rope Ring Assembly,
Zinc Plated S.W.L 1000kg.***

| | |
|--|--|
|  <p>TC 30 2'6" X 5/8" Tailboard Chains</p> |  <p>RG203P 1/2" (12.7mm) dia Steel Bolt on Rope Hook</p> <p>ARH 117 Alloy Bolt on Rope Hook</p> <p>Zinc Plate</p> |
|  <p>Ramp Fastener Part Number RF219 Complete Fastener Set Acme thread</p> |  <p>Weld-on Rope Hook Part Number RH12 1/2" Round RH58 5/8" Round RH78 7/8" Round</p> <p>ARH30 Alloy Weld on Rope Hook 1/2"</p> |
|  <p>Spring Bolt Part Number SB 243 3/8" Zinc Plated SB 244 1/2" Zinc Plated SB 245 5/8" Zinc Plated</p> |  <p>RG 312 P Small Bolt-on Rope Hook Z.P.</p> |
|  <p>Sword Pin Part Number SP206 27/8" x 3/8"</p> |  <p>LR 357 S/C Lashing Ring</p> |
|  <p>GAC1 / 0.19m (7 1/2") Galv Angle Cleats 40mm x 40mm x 4mm</p> <p>GAC1 / 0.22m (8 1/2") Galv Angle Cleats 40mm x 40mm x 4mm Suppled in Pairs</p> |  <p>GAC2/4" 4" Galv Angle Bracket</p> |