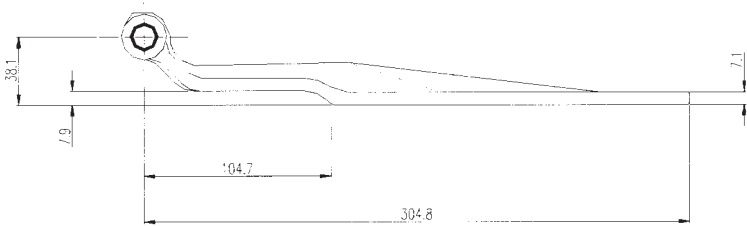
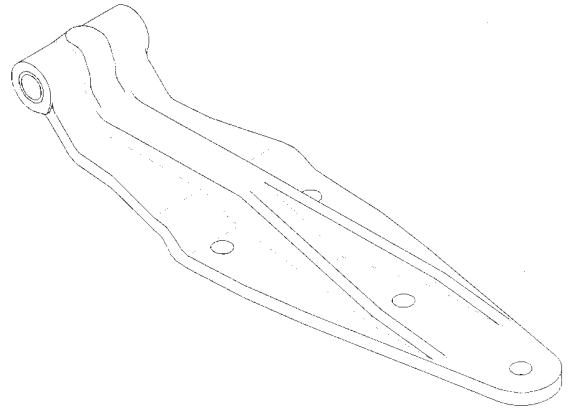


BCP 10045 - Forged Steel Door Hinge

Finish - self colour, zinc plated or galvanised.
 Ø10.5 fixing holes.
 Bushed to suit Ø12.7 hinge pin.
 Weight - 1580g

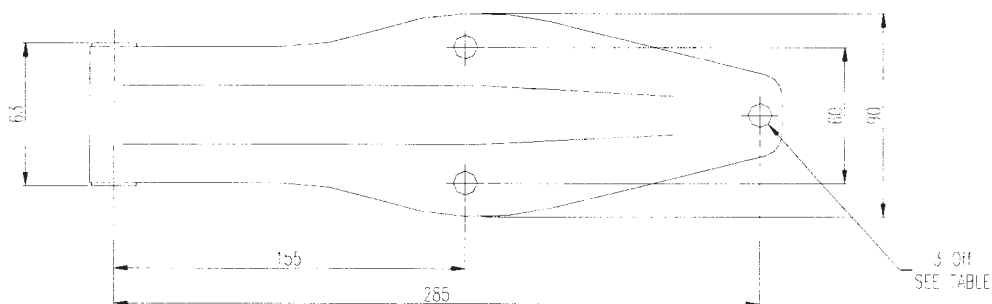
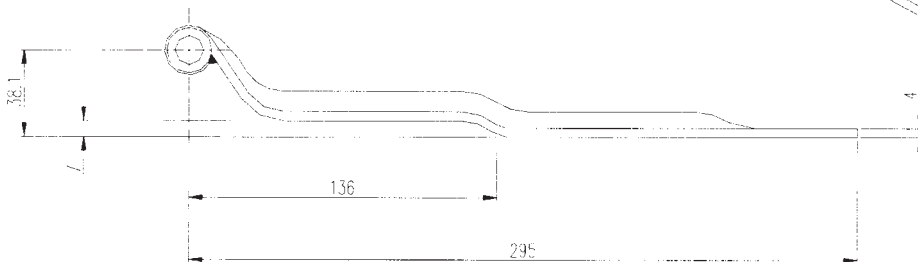
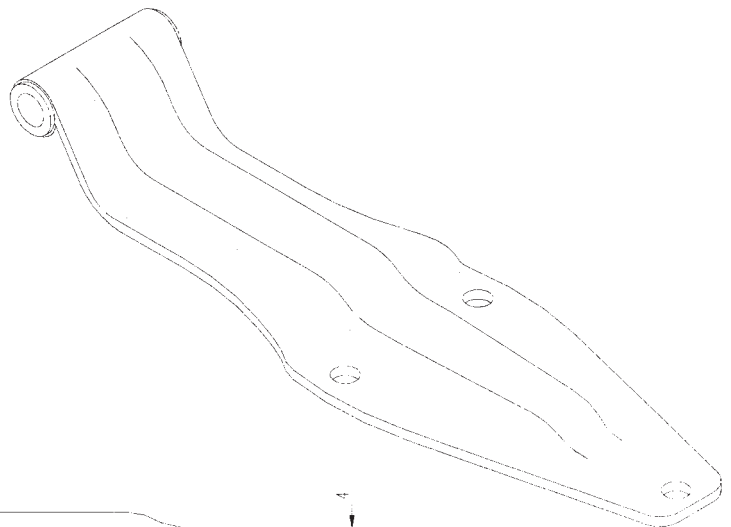


BCP 12594 Mild Steel Hinge

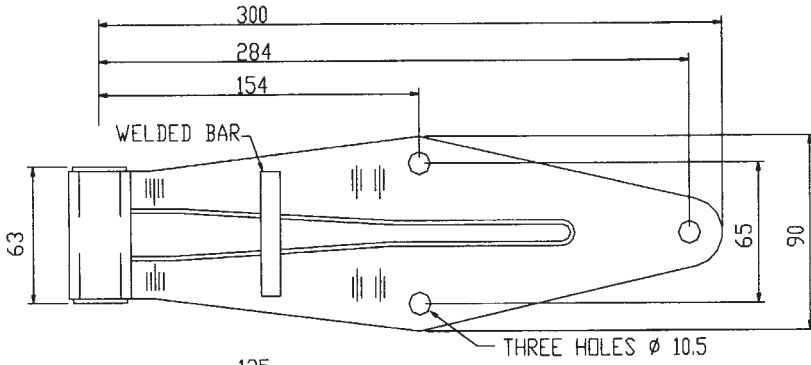
Finish - self colour, zinc plated, galvanised or polyester powder coat.
 Ø8.5 or Ø10.5 fixing holes.
 Bushed to suit M12 bolt or Ø12.0 hinge pin.

Weight - 620g

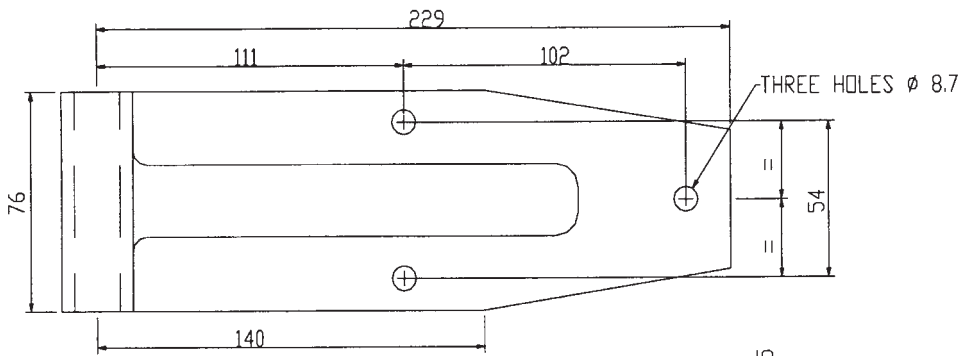
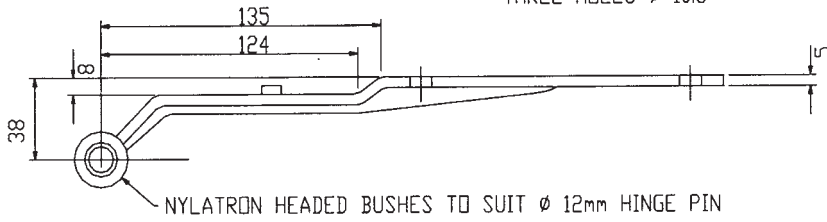
BCP14242Z Hinge Complete
 (Comprising of BCP141492 Hinge Bracket,
 BCP12462 Nut and BCP1246463BOLT)



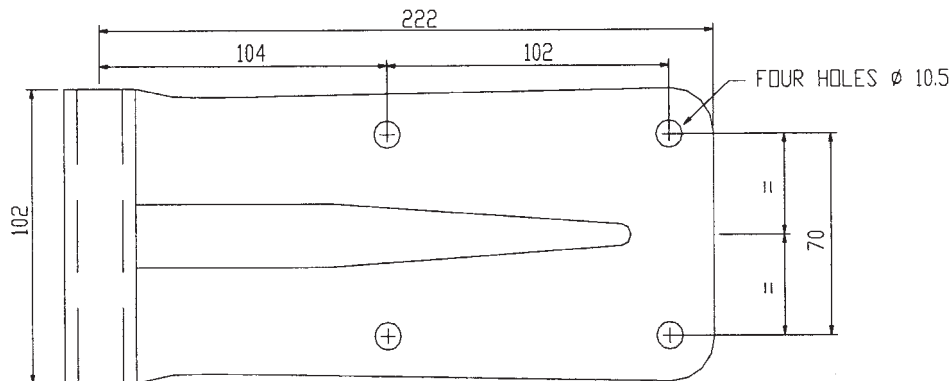
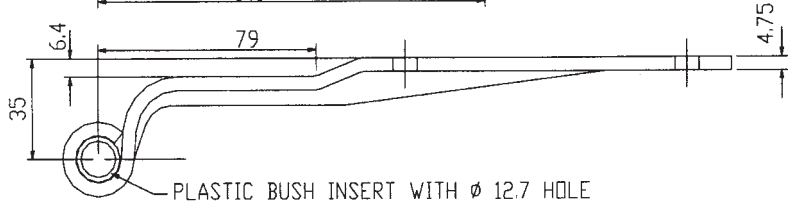
HINGE BLADES



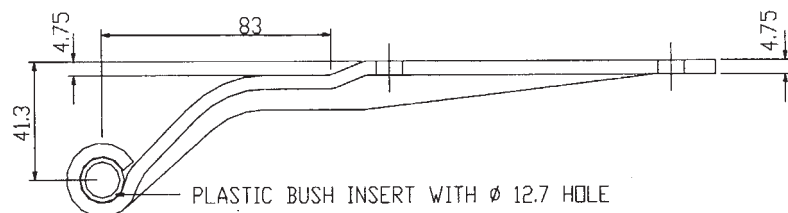
NEW No.	OLD No.	DESCRIPTION
102200407	H50897A	JS500 PLATED
102200440	H50897B	GALVANISED PLATED



NEW No.	OLD No.	DESCRIPTION
103100107	161192A	JS500 PLATED
103100140	161192B	GALVANISED PLATED



NEW No.	OLD No.	DESCRIPTION
103100207	171192A	JS500 PLATED
103100240	171192B	GALVANISED PLATED

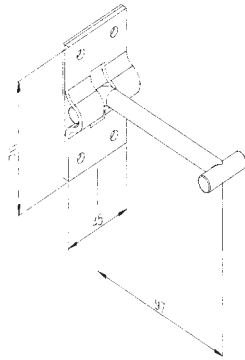




Door Retainers - Zinc Plated Finish

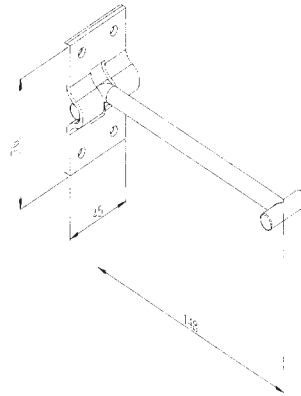
CAT 120

Heavy Duty Hook
Weight - 186g



CAT 130

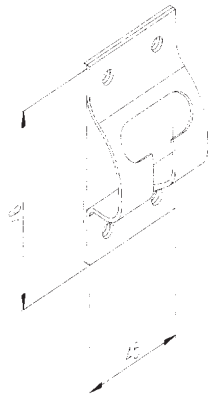
Heavy Duty Hook
Weight - 207g



Door Retainer Catch Plates - Zinc Plated Finish

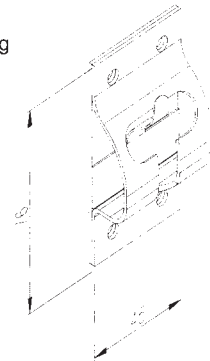
CAT 111

Standard Catch Plate
Weight - 82g

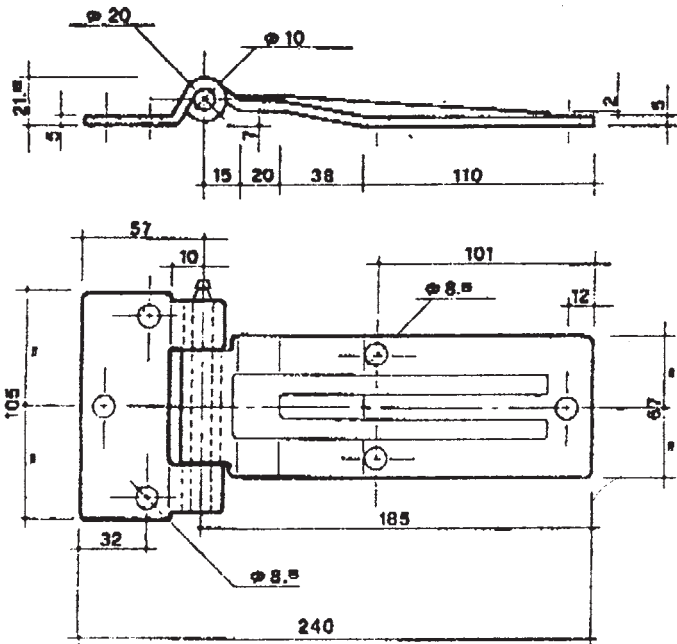


CAT 121

Catch Plate with Security Spring
Weight - 89g



PH110 Zinc Plated
PH112 Stainless Steel



PH116 Zinc Plated
PH114 Stainless Steel

