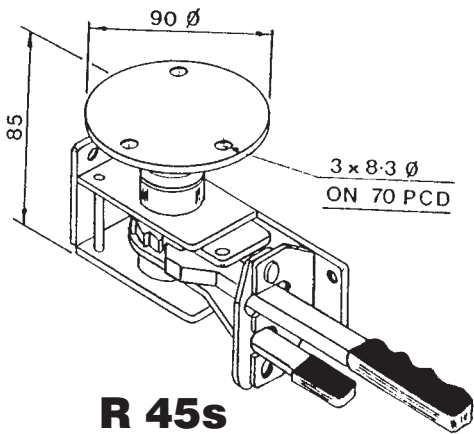
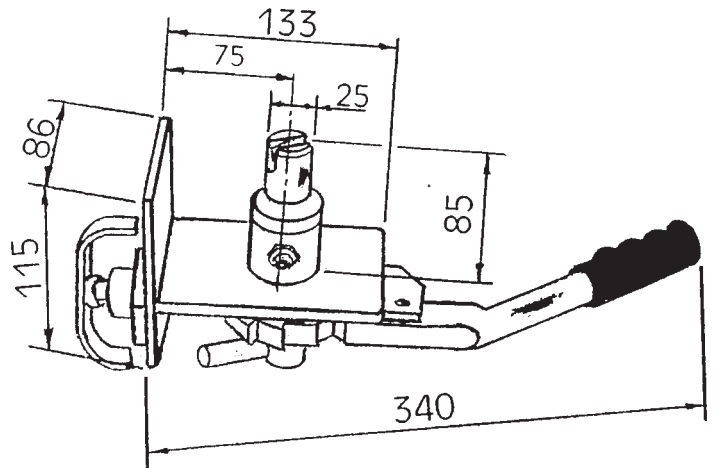


TENSIONERS



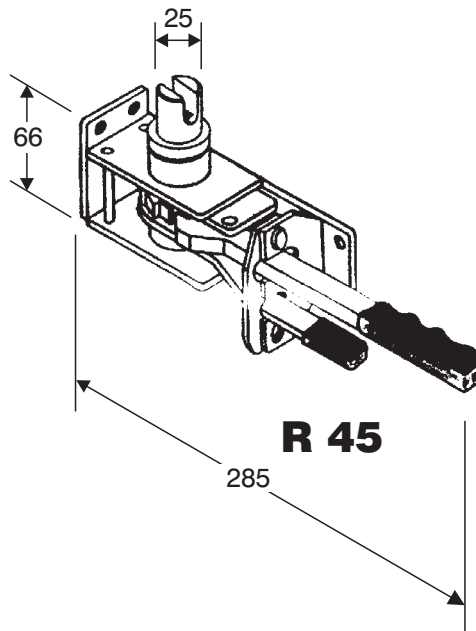
R 45s



R 30

A heavy duty ratchet of proven design that has been in production for over 15 years. During which time various derivatives have been produced as shown on the following pages.

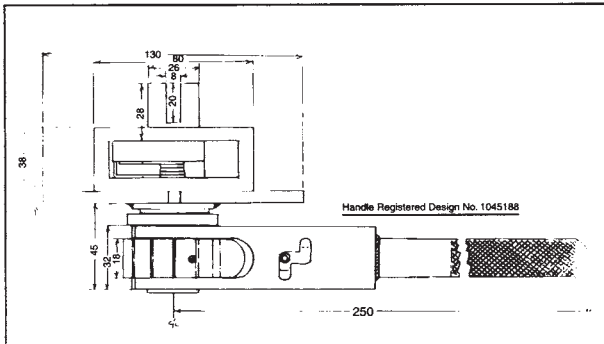
When using the R.30 series provision must be made for securing the handles.
weight: 3.6kg



R 45

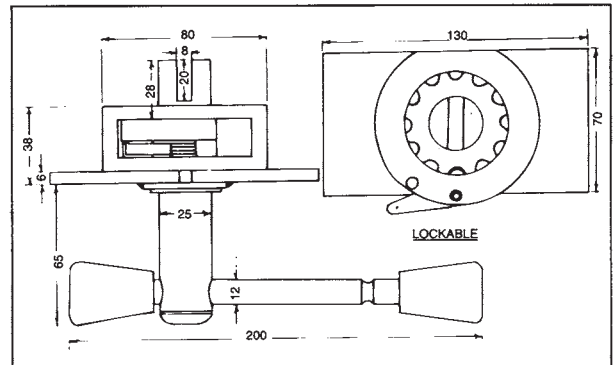
TENSIONERS

MODEL 007/FR

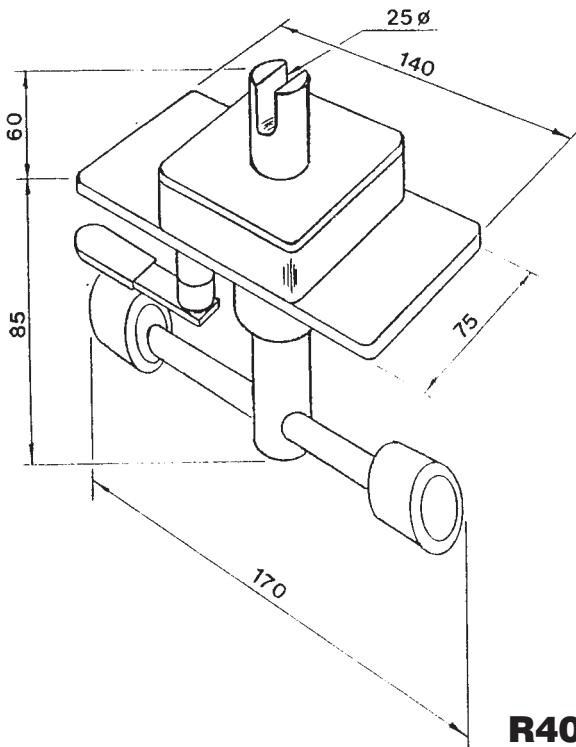


- Ratchet Tensioner with same specification as standard model with extra ratchet handle.
- Build into side rave
- Less chance of damage at front end of trailer

MODEL 001

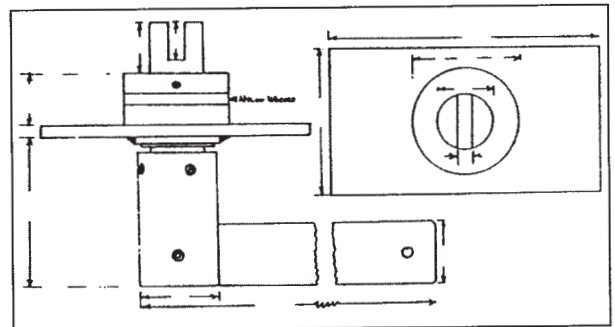


- Standard Ratchet Tensioner • 'T' handle
- Hardened ratchet wheel & pawl • Oilite bearing lubricated for life • Nylon pressure washer
- 12 tooth ratchet • Unbreakable knobs with threaded steel inserts • Spring loaded locking at each end of 'T' bar-lockable • Plated for non rusting.



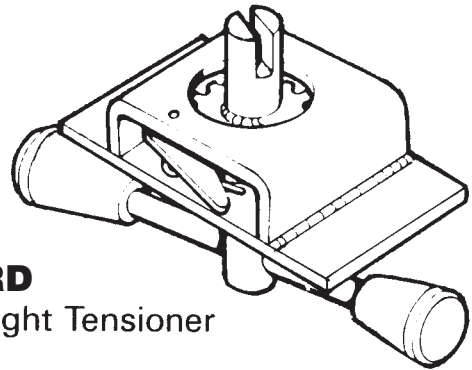
R40

MODEL 004

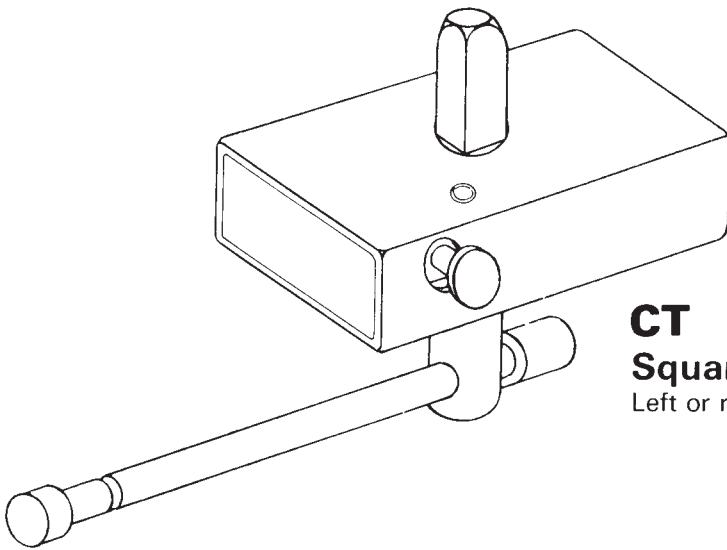


- Non-ratchet tensioner • Oilite bearing • Nylon pressure washer • Tension adjustment on centre spindle • Lockable

Tensioners



CT53 RD
Lightweight Tensioner



CT
Square Top Tension Unit
Left or right hand

CT
Round Top Tension Unit
Left or right hand

