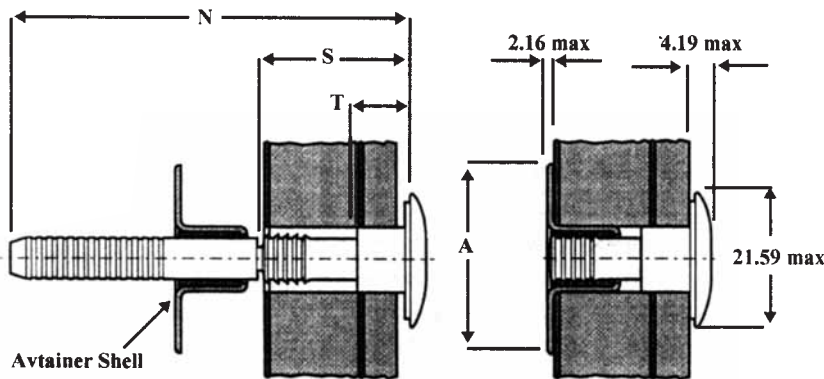
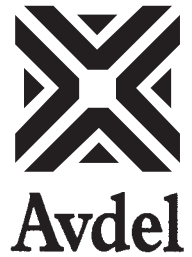




AVTAINER

A high quality fastener designed specifically for joining plywood or glass reinforced plastics to metal framing without damaging the materials or pulling through the composition

- ▶ Vibration and moisture resistant
- ▶ Suitable for varying hole tolerances



Avtainer

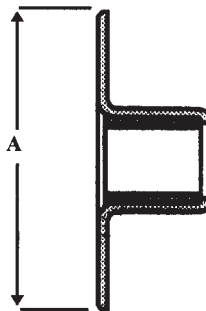
Pin & Shell: Low Carbon Steel
(zinc plated)
Seal: Nylon (natural finish)
Locking Slug: Polyester Elastomer
(natural finish)

2311 Series

Nom Size	Part Number	Grip Range		'N' Max	'S' Mon	'T' Nom	Box Qty	Box Wgt Kg
		Min	Max					
10.0mm	2311-1209	12.70	15.87	56.9	14.3	N/A	0.800	13.0
	2311-1210	14.27	17.45	56.9	15.9	N/A	0.800	18.4
	2311-1211	15.87	19.05	58.4	17.5	4.6	0.800	14.0
	2311-1212	17.45	20.62	60.2	19.0	6.1	0.800	15.6
	2311-1213	19.05	22.22	61.7	20.6	7.9	0.800	15.8
	2311-1214	20.62	23.80	63.2	22.2	9.4	0.800	16.8
	2311-1215	22.22	25.40	64.8	23.8	10.9	0.700	15.4
	2311-1216	23.80	26.97	66.5	25.4	12.5	0.700	16.1
	2311-1217	25.40	28.57	75.9	27.0	14.2	0.700	18.2
	2311-1218	26.97	30.15	75.9	28.6	14.2	0.700	18.1
	2311-1219	28.57	31.75	75.9	30.2	14.2	0.600	15.2
2311-1220	30.15	33.32	75.9	31.7	14.2	0.600	15.2	

*Avtainers 2311-1209 & 2311-1210 do not have shouldered pins
Under no circumstances should head of pin be placed directly against container board*

Part Number	'A' Dia	Box Qty	Box Wgt Kg
2321-1200	32.0	1000	11.6
2325-1200	22.9	2500	18.2



Avtainer Shell Assembly (includes Locking Slug)

22.9mm dia Shell (Part No. 2325-1200) must not be used directly against container board, only against metal surfaces