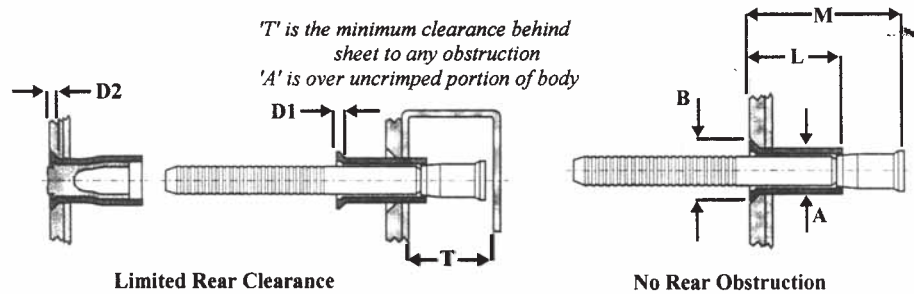


**MONOBOLT**  
 Body & Stem: Austenitic  
 Stainless Steel modified by  
 addition of 3%-4% copper

**2711 Series  
 Protruding Head**

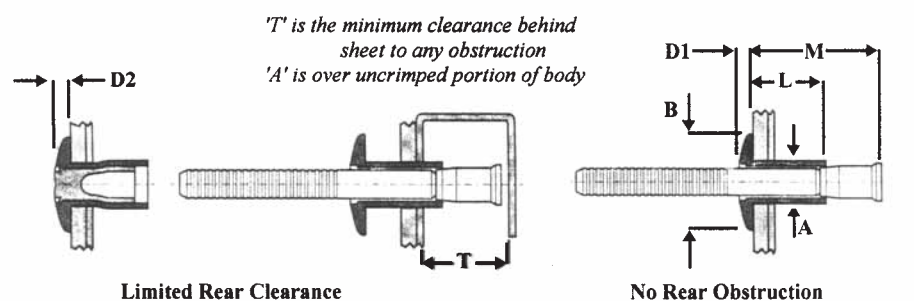
Nom Size	Part Number	Grip Range		'A'		'B'		'D1'		'D2'	'L'		'M'	'T'	Box Qty	Box Wgt Kg
		Min	Max	Min	Max	Min	Max	Min	Max	Max	Min	Max	Max	Min		
4.76mm	2711-0613	1.63	6.86	4.75	4.81	9.53	10.03	1.70	2.10	1.85	10.19	10.94	18.19	10.41	4000	10.0
	2711-0617	1.63	11.10	4.75	4.81	9.53	10.03	1.70	2.10	1.85	13.36	14.12	24.44	13.46	3000	13.8
6.35mm	2711-0817	2.03	9.53	6.45	6.50	12.83	13.33	2.44	2.89	2.64	13.82	14.63	23.70	12.19	2000	17.4
	2711-0824	2.03	15.87	6.45	6.50	12.83	13.33	2.44	2.89	2.64	18.90	19.71	32.92	16.38	1500	15.3



**MONOBOLT**  
 - Body: Carbon Steel (zinc plated)  
 Stem: Carbon Steel (gold passivate)

**2761 Series  
 Countersunk Head**

Nom Size	Part Number	Grip Range		'A'		'B'	'D1'		'D2'	'L'		'M'	'T'	Box Qty	Box Wgt Kg
		Min	Max	Min	Max	Min	Min	Max	Max	Min	Max	Max	Min		
6.35mm	2761-0821	3.17	12.07	6.45	6.50	10.03	1.90	2.36	2.11	16.51	17.27	27.15	12.95	1500	15.9



**MONOBOLT**  
 Body: Carbon Steel (zinc plated)  
 Stem: Carbon Steel (Gold passivated)

**2771 Series  
 Protruding Head**

Nom Size	Part Number	Grip Range		'A'		'B'		'D1'		'D2'	'L'		'M'	'T'	Box Qty	Box Wgt Kg
		Min	Max	Min	Max	Min	Max	Min	Max	Max	Min	Max	Max	Min		
4.76mm	2771-0613	1.63	6.86	4.76	4.84	9.53	10.03	1.70	2.10	1.85	10.19	10.94	18.19	10.41	4000	15.3
	2771-0617	1.63	11.10	4.76	4.84	9.53	10.03	1.70	2.10	1.85	13.36	14.12	24.44	13.46	3000	13.3
6.35mm	2771-0817	2.03	9.53	6.47	6.53	12.83	13.33	2.44	2.89	2.64	13.82	14.63	23.70	12.19	2000	17.6
	2771-0824	2.03	15.87	6.47	6.53	12.83	13.33	2.44	2.89	2.64	18.90	19.71	32.92	16.38	1250	15.9