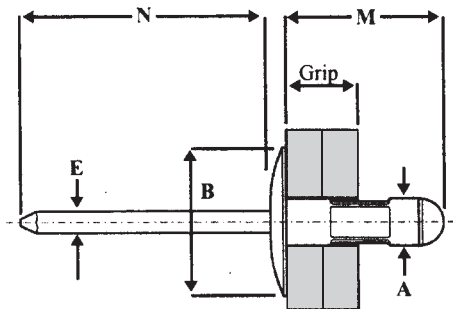


AVEX

Aluminium 2.5% Magnesium Alloy (plain finish)
Stem: Low Carbon Steel (zinc coated)

1661 Series Low Profile Head

Nom size	Part Number	Grip Range		'M' Dia		'N' Min	'A Dia		'B Dia		'D' Dia		'E' Max	Box Qty	Box Wgt Kg
		Min	Max	Min	Max		Min	Max	Min	Max					
3.0mm	1661-5307	0.8	4.3	7.4	9.1	29.8	2.908	2.997	6.17	6.66	0.86	1.30	1.651	10000	9.0
3.2mm	1661-0410	0.8	4.8	8.8	10.4	29.2	3.060	3.175	6.17	6.66	0.86	1.30	1.766	10000	9.8
	1661-0412	1.2	6.3	10.4	12.0	29.2	3.060	3.175	6.17	6.66	0.86	1.30	1.766	8000	8.1
	1661-0416	5.5	9.5	13.9	16.0	29.1	3.060	3.175	6.17	6.66	0.86	1.30	1.766	8000	8.6
4.0mm	1661-0512	1.2	6.3	10.9	12.5	28.6	3.810	3.963	7.67	8.16	1.11	1.55	2.121	7000	11.2
	1661-0516	4.0	9.5	14.4	16.2	28.6	3.810	3.963	7.67	8.16	1.11	1.55	2.121	6000	10.2
	1661-0521	6.4	12.7	18.0	19.6	28.6	3.810	3.963	7.67	8.16	1.11	1.55	2.121	6000	10.8
4.8mm	1661-0613	1.6	6.3	11.8	13.9	28.2	4.711	4.852	9.57	10.06	1.37	1.80	2.832	5000	14.0
	1661-0619	4.8	11.1	16.6	18.7	28.5	4.711	4.852	9.57	10.06	1.37	1.80	2.832	4000	12.8
	1661-0621	4.8	12.7	18.1	20.2	26.9	4.711	4.852	9.57	10.06	1.37	1.80	2.832	4000	12.8
	1661-0631	12.7	19.8	26.1	28.2	25.6	4.711	4.852	9.57	10.06	1.37	1.80	2.832	3000	11.7

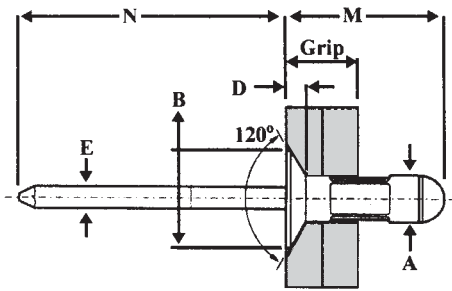


AVEX

Aluminium 2.5% Magnesium Alloy 5052 (Natural finish)
Stem: Low Carbon Steel (zinc coated)

1641 Series Large Flange

Nom dia	Part Number	Grip Range		'A' Dia		'B' Max	'D' Max	'M' Max	Box Qty	Box Wgt Kg
		Min	Max	Min	Max					
4.8mm	1641-0613	1.6	6.3	4.72	4.83	16.13	2.13	13.9	3000	9.9
	1641-0621	6.4	12.7	4.72	4.83	16.13	2.13	20.2	2000	7.8
	1641-0631	12.7	19.8	4.72	4.83	16.13	2.13	28.2	2000	8.8

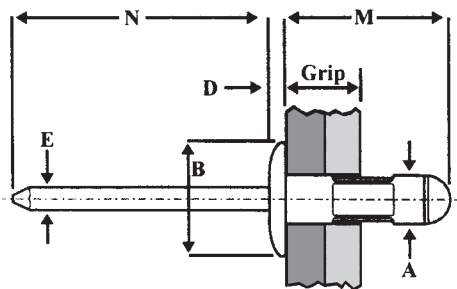


AVEX

Aluminium 2.5% Magnesium Alloy 5052 (natural finish)
Stem: Low Carbon Steel (zinc coated)

1604 Series Countersunk Head

Nom size	Part Number	Grip Range		'A' Dia		'B' Dia		'D' Dia		'E' Dia	'M' Dia		'N'	Box Qty	Box Wgt Kg
		Min	Max	Min	Max	Min	Max	Min	Max	Max	Min	Max	Min		
3.2mm	1604-0412	2.4	6.3	3.060	3.175	5.20	5.52	0.81	1.27	1.766	10.4	12.2	28.0	10000	10.0
4.0mm	1604-0514	2.8	7.9	3.810	3.963	6.21	6.53	0.86	1.32	2.121	12.4	14.3	28.0	8000	11.9
4.8mm	1604-0615	3.2	7.9	4.711	4.852	8.43	8.92	1.30	1.75	2.832	13.5	15.5	28.0	5000	13.7
	1604-0621	6.3	12.7	4.711	4.852	8.43	8.92	1.30	1.75	2.832	18.3	20.4	28.0	4000	12.4



AVEX

Low Carbon Steel (zinc plated)
Stem: Low Carbon Steel (zinc coated)

1624 Series Snap Head

Nom size	Part Number	Grip Range		'M' Dia		'N' Min	'A' Dia		'B' Dia		'D' Dia		'E' Dia	Box Qty	Box Wgt Kg
		Min	Max	Min	Max		Min	Max	Min	Max	Min	Max	Max		
3.2mm	1624-0411	1.12	4.0	10.4	11.4	26.2	3.162	3.264	6.93	7.55	0.76	1.19	2.121	8000	13.0
4.0mm	1624-0514	1.4	5.0	12.2	13.7	28.2	3.975	4.077	7.82	8.44	1.11	1.57	2.764	6000	16.8
4.8mm	1624-0612	1.2	4.8	12.2	13.5	29.5	4.865	4.962	9.47	10.09	1.67	2.13	3.417	4000	18.4
	1624-0616	4.0	6.3	14.7	15.7	29.2	4.865	4.962	9.47	10.09	1.67	2.13	3.417	4000	20.0